



Automatización Eléctrica
Especialistas en Automatización

At the end of this document you will find links to products related to this catalog. You can go directly to our shop by clicking [HERE](#). [HERE](#)

PCB connection terminal block - PT-SG/ 1 8X0,1-2 THR2,9 R24 - 1841843

Please be informed that the data shown in this PDF Document is generated from our Online Catalog. Please find the complete data in the user's documentation. Our General Terms of Use for Downloads are valid (<http://phoenixcontact.com/download>)



PCB terminal block without insulating housing for contacting, e.g., flat-ribbon conductors, contact pins or PCBs, nominal current: 41 A, 1-pos., connection method: spring connection, mounting: THT/THR, user information on THT/THR technology can be found under "Downloads"



Key Commercial Data

| | |
|------------------------|---------------------|
| Packing unit | 250 STK |
| Minimum order quantity | 250 STK |
| GTIN | 4 046356 919975 |

Technical data

Dimensions

| | |
|--------------------------|---------|
| Length of the solder pin | 2.9 mm |
| Pin dimensions | 0,5 x 1 |
| Hole diameter | 1.4 mm |

General

| | |
|-----------------------|-------------------|
| Range of articles | PT-SG |
| Nominal current I_N | 41 A |
| Nominal cross section | 6 mm ² |
| Solder pin surface | Sn |
| Number of positions | 1 |

Connection data

| | |
|--|----------------------|
| Conductor cross section solid min. | 0.25 mm ² |
| Conductor cross section solid max. | 2.5 mm ² |
| Conductor cross section flexible, with ferrule without plastic sleeve min. | 0.25 mm ² |
| Conductor cross section flexible, with ferrule without plastic sleeve max. | 2.5 mm ² |
| Conductor cross section flexible, with ferrule with plastic sleeve min. | 0.25 mm ² |

PCB connection terminal block - PT-SG/ 1 8X0,1-2 THR2,9 R24 - 1841843

Technical data

Connection data

| | |
|---|---|
| Conductor cross section flexible, with ferrule with plastic sleeve max. | 2.5 mm ² |
| Conductor cross section AWG min. | 22 |
| Conductor cross section AWG max. | 14 |
| Max. width of flat-ribbon conductor | 8 mm |
| Min. height of flat-ribbon conductor | 0.1 mm |
| Max. height of flat-ribbon conductor | 2 mm |
| Stripping length | 3.5 mm ... 7 mm (Avoid tensile force on the terminal point) |

Classifications

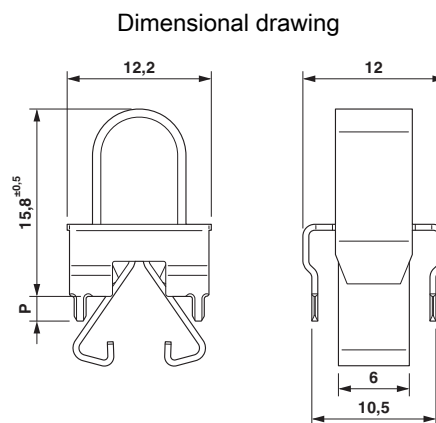
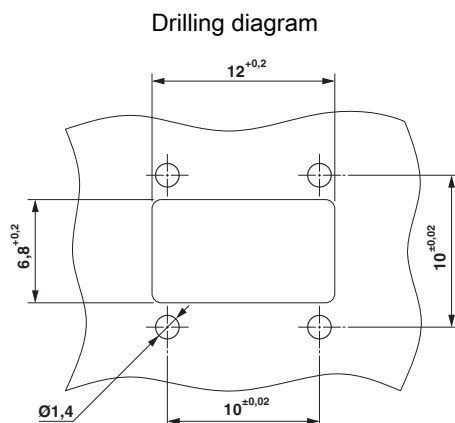
eCl@ss

| | |
|------------|----------|
| eCl@ss 5.1 | 27141190 |
| eCl@ss 6.0 | 27261101 |
| eCl@ss 8.0 | 27440401 |
| eCl@ss 9.0 | 27440401 |

ETIM

| | |
|----------|----------|
| ETIM 5.0 | EC002498 |
|----------|----------|

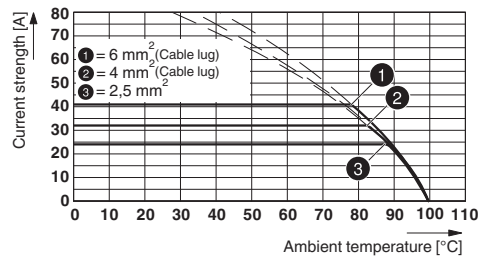
Drawings



Dimension P= 2.9 mm

PCB connection terminal block - PT-SG/ 1 8X0,1-2 THR2,9 R24 - 1841843

Diagram



Type: PT-SG/ 1 8X0,1-2 THR... R24
Tested in accordance with DIN EN 60512-5-2:2003-01
Reduction factor = 1
Number of positions: 1

Phoenix Contact 2016 © - all rights reserved
<http://www.phoenixcontact.com>

PHOENIX CONTACT GmbH & Co. KG
Flachsmarktstr. 8
32825 Blomberg
Germany
Tel. +49 5235 300
Fax +49 5235 3 41200
<http://www.phoenixcontact.com>



Automatización Eléctrica
Especialistas en Automatización

Below is a list of articles with direct links to our shop Electric Automation Network where you can see:

- Quote per purchase volume in real time.
- Online documentation and datasheets of all products.
- Estimated delivery time enquiry in real time.
- Logistics systems for the shipment of materials almost anywhere in the world.
- Purchasing management, order record and tracking of shipments.

To access the product, [click on the green button.](#)

| Product | Code | Reference | Product link |
|---|---------|-----------------------------------|----------------------------|
| PCB terminal block without insulating housing for contacting, e.g., flat-ribbon conductors, contact pins or PCBs, nominal current: 41 A, 1-pos., connection method: spring connection, mounting: THT/THR, user information on THT/THR technology can be found under "Downloads" | 1841843 | PT-SG/ 1 8X0,1-2 THR2,9 R24 | Buy on EAN |