



Automatización Eléctrica
Especialistas en Automatización

At the end of this document you will find links to products related to this catalog. You can go directly to our shop by clicking [HERE](#). [HERE](#)

PCB connection terminal block - PT-SG/ 1 8X0,1-2 THR2,1 R24 - 1841830

Please be informed that the data shown in this PDF Document is generated from our Online Catalog. Please find the complete data in the user's documentation. Our General Terms of Use for Downloads are valid (<http://phoenixcontact.com/download>)



PCB terminal block without insulating housing for contacting, e.g., flat-ribbon conductors, contact pins or PCBs, nominal current: 41 A, 1-pos., connection method: spring connection, mounting: THT/THR, user information on THT/THR technology can be found under "Downloads"



Key Commercial Data

Packing unit	250 STK
Minimum order quantity	250 STK
GTIN	 4 046356 919661

Technical data

Dimensions

Length of the solder pin	2.1 mm
Pin dimensions	0,5 x 1
Hole diameter	1.4 mm

General

Range of articles	PT-SG
Nominal current I_N	41 A
Nominal cross section	6 mm ²
Solder pin surface	Sn
Number of positions	1

Connection data

Conductor cross section solid min.	0.25 mm ²
Conductor cross section solid max.	2.5 mm ²
Conductor cross section flexible, with ferrule without plastic sleeve min.	0.25 mm ²
Conductor cross section flexible, with ferrule without plastic sleeve max.	2.5 mm ²
Conductor cross section flexible, with ferrule with plastic sleeve min.	0.25 mm ²

PCB connection terminal block - PT-SG/ 1 8X0,1-2 THR2,1 R24 - 1841830

Technical data

Connection data

Conductor cross section flexible, with ferrule with plastic sleeve max.	2.5 mm ²
Conductor cross section AWG min.	22
Conductor cross section AWG max.	14
Max. width of flat-ribbon conductor	8 mm
Min. height of flat-ribbon conductor	0.1 mm
Max. height of flat-ribbon conductor	2 mm
Stripping length	3.5 mm ... 7 mm (Avoid tensile force on the terminal point)

Classifications

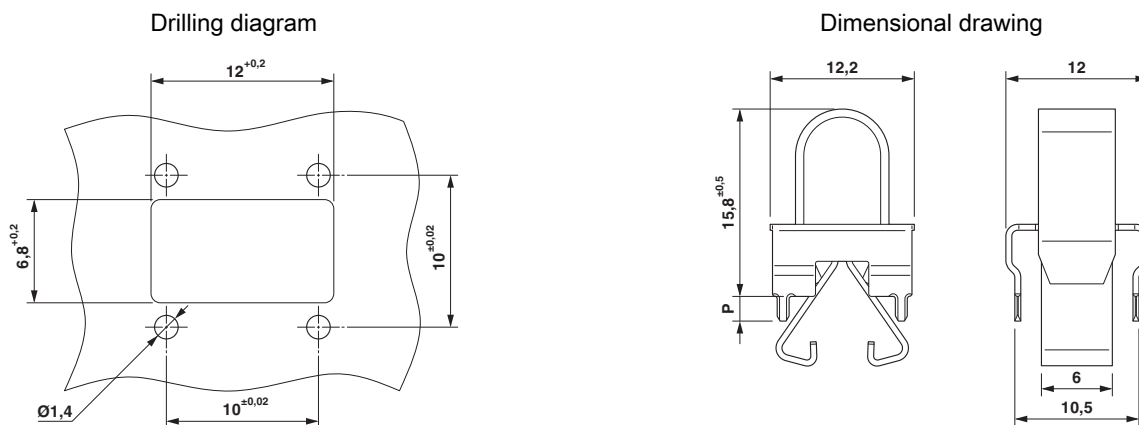
eCl@ss

eCl@ss 5.1	27141190
eCl@ss 6.0	27261101
eCl@ss 8.0	27440401
eCl@ss 9.0	27440401

ETIM

ETIM 5.0	EC002498
----------	----------

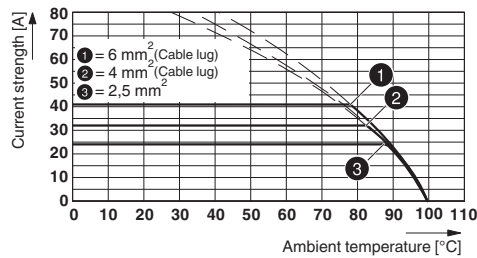
Drawings



Dimension P= 2.1 mm

PCB connection terminal block - PT-SG/ 1 8X0,1-2 THR2,1 R24 - 1841830

Diagram



Type: PT-SG/ 1 8X0,1-2 THR... R24
Tested in accordance with DIN EN 60512-5-2:2003-01
Reduction factor = 1
Number of positions: 1

Phoenix Contact 2016 © - all rights reserved
<http://www.phoenixcontact.com>

PHOENIX CONTACT GmbH & Co. KG
Flachsmarktstr. 8
32825 Blomberg
Germany
Tel. +49 5235 300
Fax +49 5235 3 41200
<http://www.phoenixcontact.com>

Below is a list of articles with direct links to our shop Electric Automation Network where you can see:

- Quote per purchase volume in real time.
- Online documentation and datasheets of all products.
- Estimated delivery time enquiry in real time.
- Logistics systems for the shipment of materials almost anywhere in the world.
- Purchasing management, order record and tracking of shipments.

To access the product, [click on the green button.](#)

Product	Code	Reference	Product link
PCB terminal block without insulating housing for contacting, e.g., flat-ribbon conductors, contact pins or PCBs, nominal current: 41 A, 1-pos., connection method: spring connection, mounting: THT/THR, user information on THT/THR technology can be found under "Downloads"	1841830	PT-SG/ 1 8X0,1-2 THR2,1 R24	Buy on EAN