



Automatización Eléctrica
Especialistas en Automatización

At the end of this document you will find links to products related to this catalog. You can go directly to our shop by clicking [HERE](#). [HERE](#)

Base strip - PTSM 0,5/ 4-HHI0-2,5-SMD R44 - 1815141

Please be informed that the data shown in this PDF Document is generated from our Online Catalog. Please find the complete data in the user's documentation. Our General Terms of Use for Downloads are valid (<http://phoenixcontact.com/download>)

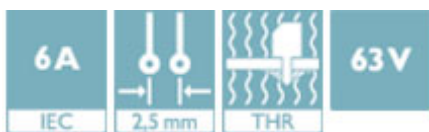


Header, Nominal current: 6 A, Rated voltage (III/2): 160 V, Number of positions: 4, Pitch: 2.5 mm, Color: black, Contact surface: Tin, Mounting: SMD soldering


The illustration shows a 3-position version

Why buy this product

- High current carrying capacity of 6 A
- Supplied in tape-on-reel packing according to IEC 60286-3 for automated mounting
- Specifically designed for use in dedicated SMT processes



Key Commercial Data

Packing unit	500 STK
Minimum order quantity	500 STK
GTIN	 4 046356 761352

Technical data

Dimensions

Length	12 mm
Pitch	2.50 mm
Dimension a	7.5 mm
Height	5 mm

General

Range of articles	PTSM 0,5/..-HHI-SMD
Insulating material group	IIIa
Rated surge voltage (III/3)	2.5 kV
Rated surge voltage (III/2)	2.5 kV
Rated surge voltage (II/2)	2.5 kV
Rated voltage (III/3)	63 V

Base strip - PTSM 0,5/ 4-HHI0-2,5-SMD R44 - 1815141

Technical data

General

Rated voltage (III/2)	160 V
Rated voltage (II/2)	160 V
Nominal current I _N	6 A
Maximum load current	6 A
Insulating material	LCP
Flammability rating according to UL 94	V0
Color	black
Number of positions	4

Standards and Regulations

Connection in acc. with standard	UL
Flammability rating according to UL 94	V0

Classifications

eCl@ss

eCl@ss 4.0	27141109
eCl@ss 4.1	27141109
eCl@ss 5.0	27141190
eCl@ss 5.1	27141190
eCl@ss 6.0	27261101
eCl@ss 7.0	27440401
eCl@ss 8.0	27440402
eCl@ss 9.0	27440402

ETIM

ETIM 3.0	EC001121
ETIM 4.0	EC002643
ETIM 5.0	EC002637

UNSPSC

UNSPSC 6.01	30211801
UNSPSC 7.0901	39121432
UNSPSC 11	39121432
UNSPSC 12.01	39121432
UNSPSC 13.2	39121432

Approvals

Approvals

Base strip - PTSM 0,5/ 4-HHI0-2,5-SMD R44 - 1815141

Approvals


Approvals

UL Recognized / EAC

Ex Approvals

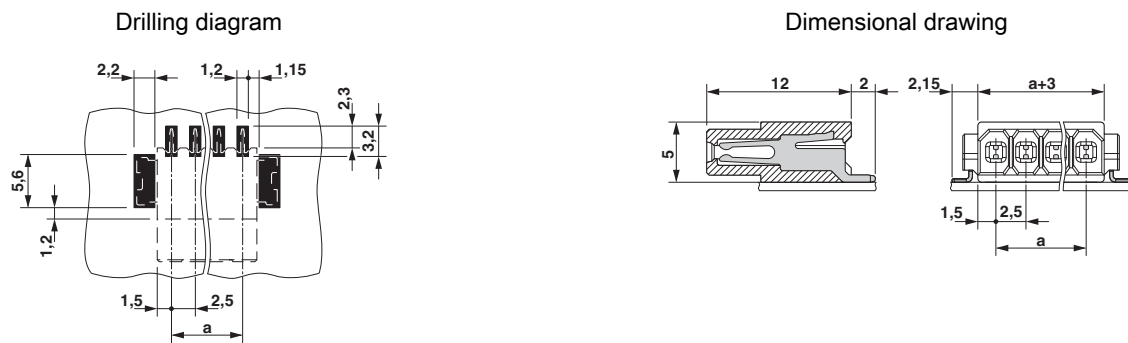
Approvals submitted

Approval details

UL Recognized 	
Nominal current I_N	5 A
Nominal voltage U_N	150 V

EAC

Drawings



Phoenix Contact 2016 © - all rights reserved
<http://www.phoenixcontact.com>

PHOENIX CONTACT GmbH & Co. KG
Flachsmarktstr. 8
32825 Blomberg
Germany
Tel. +49 5235 300
Fax +49 5235 3 41200
<http://www.phoenixcontact.com>



Below is a list of articles with direct links to our shop Electric Automation Network where you can see:

- Quote per purchase volume in real time.
- Online documentation and datasheets of all products.
- Estimated delivery time enquiry in real time.
- Logistics systems for the shipment of materials almost anywhere in the world.
- Purchasing management, order record and tracking of shipments.

To access the product, [click on the green button.](#)

Product	Code	Reference	Product link
Header, Nominal current: 6 A, Rated voltage (III/2): 160 V, Number of positions: 4, Pitch: 2.5 mm, Color: black, Contact surface: Tin, Mounting: Taped SMD/THT/THR components	1815141	PTSM 0,5/ 4-HHI0-2,5-SMD R44	Buy on EAN