



**Automatización Eléctrica**  
Especialistas en Automatización

At the end of this document you will find links to products related to this catalog. You can go directly to our shop by clicking [HERE](#). [HERE](#)

## Sensor/actuator box - SACB- 4/4-C QO-0,34 - 1548419

Please be informed that the data shown in this PDF Document is generated from our Online Catalog. Please find the complete data in the user's documentation. Our General Terms of Use for Downloads are valid (<http://phoenixcontact.com/download>)



Sensor/actuator box, Application: Standard, Connection method: QUICKON, 0.14 mm<sup>2</sup> ... 0.34 mm<sup>2</sup>, Number of slots: 4, Number of positions: 4, Slot assignment: Double, Status indication: No, Universal; Master cable connection: Pluggable screw connection 180°, Shielding: No

### Why buy this product

- Safety in the field, thanks to molded housing and high degree of protection
- Flexible, distributed bundling of signals in one master cable
- Save space: distributor box with double occupancy for two sensors in one slot
- Innovative and time-saving assembly with insulation displacement connection
- Flexible: distributor box with connector hood for on-site assembly

### Key Commercial Data

|              |   |
|--------------|---|
| Packing unit | 1 STK   |
| GTIN         | <br>4 046356 142885 |

### Technical data

#### General

|  |                                   |
|--|-----------------------------------|
| Rated voltage                            | 48 V                              |
|  | 60 V DC                           |
| Current carrying capacity per I/O signal | 2 A                               |
| Current carrying capacity per slot       | 4 A                               |
| Total rated current                      | 10 A                              |
|  | 2x 8 A (For electrical isolation) |
| Number of positions                      | 4                                 |
| Number of slots                          | 4                                 |
| Flammability rating according to UL 94   | V0                                |
| Sensor/actuator connection system        | QUICKON                           |

#### Ambient conditions

|                                 |                  |
|---------------------------------|------------------|
| Degree of protection            | IP65             |
|                                 | IP67             |
|                                 | IP69K            |
| Ambient temperature (operation) | -30 °C ... 80 °C |

# Sensor/actuator box - SACB- 4/4-C QO-0,34 - 1548419

## Technical data

### Master cable data/connection data

|  |                            |
|--|----------------------------|
| Connection method  | Pluggable screw connection |
| Conductor cross section min. (signal)                      | 0.14 mm <sup>2</sup>       |
| Conductor cross section max. (signal)                      | 1.5 mm <sup>2</sup>        |
| Conductor cross section AWG min. (signal)                  | 26                         |
| Conductor cross section AWG max. (signal)                  | 16                         |
| Stripping length (signal)                                  | 7 mm                       |
| Conductor cross section min. (energy)                      | 0.14 mm <sup>2</sup>       |
| Conductor cross section max. (energy)                      | 1.5 mm <sup>2</sup>        |
| Conductor cross section AWG min. (energy)                  | 26                         |
| Conductor cross section AWG max. (energy)                  | 16                         |
| External cable diameter min.                               | 7 mm                       |
| External cable diameter max.                               | 12 mm                      |
| Stripping length   | 50 mm (Master cable)       |
| Tightening torque, cover screw                             | 0.35 Nm                    |
| Tightening torque, union nut                               | 2.5 Nm                     |
| Tightening torque of mounting screw for fixing the housing | 0.5 Nm                     |

### Conductor data

|   |                      |
|---|----------------------|
| Structure of individual litz in acc. with VDE 0295 / smallest wire diameter | Class 2-6            |
| Wire insulation material  | PVC/PE/PP            |
| Wire diameter including insulation  | 0.7 mm ... 1.3 mm    |
| Minimum external conductor diameter   | 3.5 mm               |
| Maximum external conductor diameter   | 6 mm                 |
| Tightening torque, union nut  | 2 Nm                 |
| Wrench size, union nut  | 13 mm                |
| Conductor cross section flexible min.                                       | 0.14 mm <sup>2</sup> |
| Conductor cross section flexible max.                                       | 0.34 mm <sup>2</sup> |
| Conductor cross section AWG min.  | 26                   |
| Conductor cross section AWG max.  | 22                   |

### Insulation material

|  |              |
|--|--------------|
| Housing material   | PBT          |
| Material of the moulding mass                            | PUR          |
| Contact material   | Steel/copper |
| Contact surface material                                 | Sn           |
| Material of contact, master cable side                   | CU alloy     |
| Material of contact surface, master cable side           | Gold-plated  |
| Material of the contact carrier on the master cable side | PA 66 V0     |

### Pin assignment

|  |                   |
|--|-------------------|
| Slot/position = Wire color or connection | 1 / 4 (A) = 1 / 4 |
|  | 1 / 2 (B) = 1 / 2 |

# Sensor/actuator box - SACB- 4/4-C QO-0,34 - 1548419

## Technical data

### Pin assignment

|  |                                   |
|--|-----------------------------------|
|  | 2 / 4 (A) = 2 / 4                 |
|  | 2 / 2 (B) = 2 / 2                 |
|  | 3 / 4 (A) = 3 / 4                 |
|  | 3 / 2 (B) = 3 / 2                 |
|  | 4 / 4 (A) = 4 / 4                 |
|  | 4 / 2 (B) = 4 / 2                 |
|  | 1-4 / 1 (+ 48 V) = U <sub>N</sub> |
|  | 1-4 / 3 (0 V) = 0 V               |

### Standards and Regulations

|  |     |
|--|-----|
| Connection in acc. with standard       | CUL |
| Flammability rating according to UL 94 | V0  |

## Classifications

### eCl@ss

|            |          |
|------------|----------|
| eCl@ss 4.0 | 27250313 |
| eCl@ss 4.1 | 27250313 |
| eCl@ss 5.0 | 27143423 |
| eCl@ss 5.1 | 27143423 |
| eCl@ss 6.0 | 27143423 |
| eCl@ss 7.0 | 27449001 |
| eCl@ss 8.0 | 27279219 |

### ETIM

|          |          |
|----------|----------|
| ETIM 3.0 | EC001856 |
| ETIM 4.0 | EC002585 |
| ETIM 5.0 | EC002585 |

### UNSPSC

|               |          |
|---------------|----------|
| UNSPSC 6.01   | 31261501 |
| UNSPSC 7.0901 | 31261501 |
| UNSPSC 11     | 31261501 |
| UNSPSC 12.01  | 31261501 |
| UNSPSC 13.2   | 31261501 |

## Approvals

### Approvals

#### Approvals

UL Recognized / cUL Recognized / EAC / cULus Recognized

# Sensor/actuator box - SACB- 4/4-C QO-0,34 - 1548419

## Approvals

Ex Approvals

Approvals submitted

## Approval details

|                    |      |
|--------------------|------|
| UL Recognized      |      |
| Nominal voltage UN | 48 V |

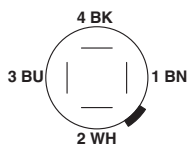
|                    |      |
|--------------------|------|
| cUL Recognized     |      |
| Nominal voltage UN | 48 V |

EAC

cULus Recognized

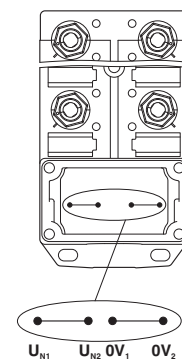
## Drawings

Schematic diagram



QUICKON connection, 4-pos.

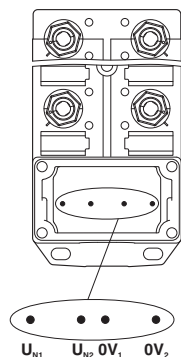
Schematic diagram



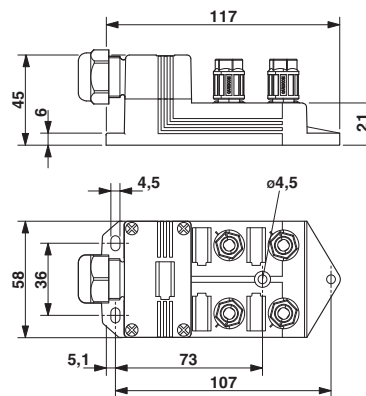
Potential  $U_{N1}$  and  $U_{N2}$  bridged. Potential assignment:  $U_{N1} = U_{N2} =$  slots 1,2,3,4.

# Sensor/actuator box - SACB- 4/4-C QO-0,34 - 1548419

Schematic diagram

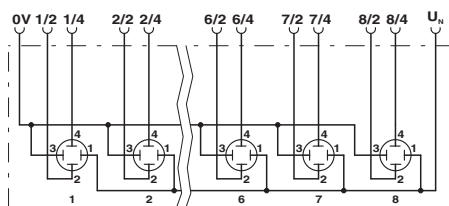


Dimensional drawing



Electrically isolated. Potential assignment:  $U_{N1}$  = slots 1,3 and  $U_{N2}$  = slots 2,4.

Circuit diagram



Below is a list of articles with direct links to our shop Electric Automation Network where you can see:

- Quote per purchase volume in real time.
- Online documentation and datasheets of all products.
- Estimated delivery time enquiry in real time.
- Logistics systems for the shipment of materials almost anywhere in the world.
- Purchasing management, order record and tracking of shipments.

To access the product, [click on the green button.](#)

| Product  | Code    | Reference              | Product link               |
|--|---------|------------------------|----------------------------|
| Sensor/actuator box, Application: Standard, Connection method: QUICKON, 0.14 mm <sup>2</sup> ... 0.34 mm <sup>2</sup> , Number of slots: 4, Number of positions: 4, Slot assignment: Double, Status indication: No, Universal; Master cable connection: Pluggable screw connection 180°, Shielding: No | 1548419 | SACB- 4/4-C<br>QO-0,34 | <a href="#">Buy on EAN</a> |