



Automatización Eléctrica
Especialistas en Automatización

At the end of this document you will find links to products related to this catalog. You can go directly to our shop by clicking [HERE](#). [HERE](#)

T distributor - SAC-5P-MINT/2XMIN VP - 1543977

Please be informed that the data shown in this PDF Document is generated from our Online Catalog. Please find the complete data in the user's documentation. Our General Terms of Use for Downloads are valid (<http://phoenixcontact.com/download>)



T distributor, 5-position, Plug straight 7/8"-16UNF, on Socket straight 7/8"-16UNF and Socket straight 7/8"-16UNF, Parallel distributor

Key Commercial Data

| | |
|--------------|---------------------|
| Packing unit | 1 STK |
| GTIN | 4 046356 106528 |

Technical data

Ambient conditions

| | |
|---------------------------------|----------------------------------|
| Ambient temperature (operation) | -40 °C ... 80 °C (Plug / socket) |
| Degree of protection | IP65 |
| | IP67 |

General

| | |
|-----------------------------|--------------------------|
| Rated current at 40°C | 10 A (at 25 °C) |
| Rated voltage | 250 V |
| Number of positions | 5 |
| Insulation resistance | ≥ 100 MΩ |
| Status display | No |
| Overvoltage category | II |
| Degree of pollution | 3 |
| Insertion/withdrawal cycles | ≥ 100 |
| Torque | 0.8 Nm (7/8" connectors) |

Material

| | |
|--|------------------------------|
| Flammability rating according to UL 94 | HB |
| Contact material | CuZn |
| Contact surface material | AU |
| Contact carrier material | PA |
| Material of grip body | TPU |
| Material, knurls | Zinc die-cast, nickel-plated |
| Sealing material | TPU |

T distributor - SAC-5P-MINT/2XMIN VP - 1543977

Technical data

Standards and Regulations

| | |
|--|----|
| Flammability rating according to UL 94 | HB |
|--|----|

Classifications

eCl@ss

| | |
|------------|----------|
| eCl@ss 4.0 | 27060306 |
| eCl@ss 4.1 | 27060306 |
| eCl@ss 5.0 | 27061801 |
| eCl@ss 5.1 | 27061801 |
| eCl@ss 6.0 | 27061801 |
| eCl@ss 7.0 | 27061801 |
| eCl@ss 8.0 | 27440312 |
| eCl@ss 9.0 | 27440106 |

ETIM

| | |
|----------|----------|
| ETIM 2.0 | EC000830 |
| ETIM 3.0 | EC001855 |
| ETIM 4.0 | EC002641 |
| ETIM 5.0 | EC002641 |

UNSPSC

| | |
|---------------|----------|
| UNSPSC 6.01 | 31251501 |
| UNSPSC 7.0901 | 31251501 |
| UNSPSC 11 | 31251501 |
| UNSPSC 12.01 | 31251501 |
| UNSPSC 13.2 | 31251501 |

Approvals

Approvals

Approvals

UL Listed / cUL Listed / EAC / cULus Listed

Ex Approvals

Approvals submitted

Approval details

T distributor - SAC-5P-MINT/2XMIN VP - 1543977

Approvals

| | |
|--------------------|-------|
| UL Listed | |
| Nominal current IN | 8 A |
| Nominal voltage UN | 250 V |

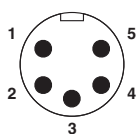
| | |
|--------------------|-------|
| cUL Listed | |
| Nominal current IN | 8 A |
| Nominal voltage UN | 250 V |

| |
|-----|
| EAC |
|-----|

| |
|--------------|
| cULus Listed |
|--------------|

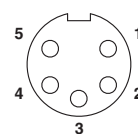
Drawings

Schematic diagram



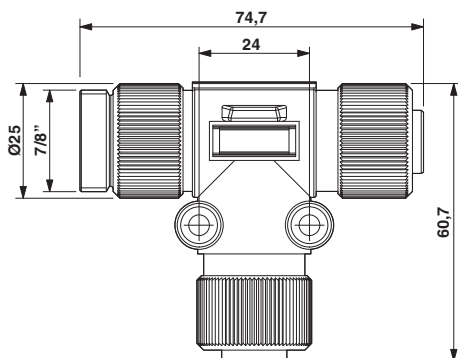
Pin assignment, plug, 7/8"-16UNF, 5-pos., view of male side

Schematic diagram



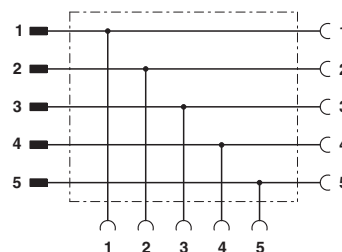
Pin assignment, socket, 7/8"-16UNF, 5-pos., view of female side

Dimensional drawing



T-distributor 7/8", top view

Circuit diagram



Contact assignment of the 7/8" T-distributor

Phoenix Contact 2016 © - all rights reserved
<http://www.phoenixcontact.com>

PHOENIX CONTACT GmbH & Co. KG
Flachsmarktstr. 8
32825 Blomberg
Germany
Tel. +49 5235 300
Fax +49 5235 3 41200
<http://www.phoenixcontact.com>



Below is a list of articles with direct links to our shop Electric Automation Network where you can see:

- Quote per purchase volume in real time.
- Online documentation and datasheets of all products.
- Estimated delivery time enquiry in real time.
- Logistics systems for the shipment of materials almost anywhere in the world.
- Purchasing management, order record and tracking of shipments.

To access the product, [click on the green button.](#)

| Product | Code | Reference | Product link |
|---|---------|----------------------|----------------------------|
| T distributor, 5-position, Plug straight 7/8"-16UNF, on Socket straight 7/8"-16UNF and Socket straight 7/8"-16UNF, Parallel distributor | 1543977 | SAC-5P-MINT/2XMIN VP | Buy on EAN |