



**Automatización Eléctrica**  
Especialistas en Automatización

At the end of this document you will find links to products related to this catalog. You can go directly to our shop by clicking [HERE](#). [HERE](#)

## Sensor/actuator connector - SACC-FS-4QO-0,34-M SCO - 1521588

Please be informed that the data shown in this PDF Document is generated from our Online Catalog. Please find the complete data in the user's documentation. Our General Terms of Use for Downloads are valid (<http://phoenixcontact.com/download>)



Sensor/actuator connector, 4-position, Socket straight M12 SPEEDCON, A-coded, Insulation displacement connection, Knurl material: Zinc die-cast, nickel-plated, External cable diameter 3.5 mm ... 6 mm

### Why buy this product

- Safe use in the field, thanks to a high degree of protection
- Flexible: connectors for on-site assembly
- Save time, thanks to installation with SPEEDCON fast locking system
- Insulation displacement connection: innovative and time-saving assembly without stripping the single wire



### Key Commercial Data

|              |   |
|--------------|---|
| Packing unit | 1 STK   |
| GTIN         | <br>4 017918 953058 |

### Technical data

#### Dimensions

|                         |                 |
|-------------------------|-----------------|
| Wrench size, union nut  | 13 mm           |
| External cable diameter | 3.5 mm ... 6 mm |

#### Ambient conditions

|                                 |                                   |
|---------------------------------|-----------------------------------|
| Ambient temperature (operation) | -25 °C ... 80 °C (Plug / socket)  |
| Ambient temperature (assembly)  | -5 °C ... 50 °C (During assembly) |
| Degree of protection            | IP65                              |
|                                 | IP67                              |

#### General

|                       |              |
|-----------------------|--------------|
| Rated current at 40°C | 4 A          |
| Rated voltage         | 125 V        |
| Number of positions   | 4            |
| Insulation resistance | ≥ 100 MΩ     |
| Coding                | A - standard |

# Sensor/actuator connector - SACC-FS-4QO-0,34-M SCO - 1521588

## Technical data

### General

|   |   |
|---|---|
| Standards/regulations   | M12 connector IEC 61076-2-101                 |
| Status display  | No  |
| Overvoltage category  | II  |
| Degree of pollution   | 3   |
| Connection method   | Insulation displacement connection            |
| Conductor cross section   | 0.14 mm <sup>2</sup> ... 0.34 mm <sup>2</sup> |
| Conductor cross section AWG   | 26 ... 22                                     |
| Wire diameter including insulation  | 0.7 mm ... 1.6 mm                             |
| Frequency of connections between conductors of the same cross section       | 10  |
| Wire insulation material  | PVC / PE / PP / rubber                        |
| Structure of individual litz in acc. with VDE 0295 / smallest wire diameter | Class 2-6                                     |
| Insertion/withdrawal cycles   | ≥ 100   |
| Torque  | 0.4 Nm (M12 knurl)<br>0.8 Nm (Pressure nut)   |
| Assembly instructions   | AWG 20 conductor cross section upon request   |

### Material

|  |                              |
|--|------------------------------|
| Flammability rating according to UL 94 | V0                           |
| Contact material                       | CuSn                         |
| Contact surface material               | Ni/Au                        |
| Contact carrier material               | TPU                          |
| Material of grip body                  | PA 6                         |
| Material, knurls                       | Zinc die-cast, nickel-plated |
| Sealing material                       | NBR                          |

### Standards and Regulations

|  |                 |
|--|-----------------|
| Standard designation                   | M12 connector   |
| Standards/regulations                  | IEC 61076-2-101 |
| Connection in acc. with standard       | CUL             |
| Flammability rating according to UL 94 | V0              |

### Classifications

#### eCl@ss

|            |          |
|------------|----------|
| eCl@ss 4.0 | 27140815 |
| eCl@ss 4.1 | 27140815 |
| eCl@ss 5.0 | 27143423 |
| eCl@ss 5.1 | 27143423 |
| eCl@ss 6.0 | 27143423 |
| eCl@ss 7.0 | 27449001 |
| eCl@ss 8.0 | 27440104 |

# Sensor/actuator connector - SACC-FS-4QO-0,34-M SCO - 1521588

## Classifications

### eCl@ss

|            |          |
|------------|----------|
| eCl@ss 9.0 | 27440102 |
|------------|----------|

### ETIM

|          |          |
|----------|----------|
| ETIM 2.0 | EC000516 |
| ETIM 3.0 | EC000516 |
| ETIM 4.0 | EC002062 |
| ETIM 5.0 | EC002062 |

### UNSPSC

|               |          |
|---------------|----------|
| UNSPSC 6.01   | 31261501 |
| UNSPSC 7.0901 | 31261501 |
| UNSPSC 11     | 31261501 |
| UNSPSC 12.01  | 31261501 |
| UNSPSC 13.2   | 31261501 |

## Approvals

### Approvals

---

#### Approvals

UL Recognized / cUL Recognized / EAC / EAC / cULus Recognized

---


#### Ex Approvals


---

#### Approvals submitted

---

### Approval details

|   |       |
|---|-------|
| UL Recognized  |       |
| Nominal current IN  | 4 A   |
| Nominal voltage UN  | 300 V |

|  |     |
|--|-----|
| cUL Recognized  |     |
| Nominal current IN   | 4 A |

# Sensor/actuator connector - SACC-FS-4QO-0,34-M SCO - 1521588

## Approvals

|                    |       |
|--------------------|-------|
| Nominal voltage UN | 300 V |
|--------------------|-------|

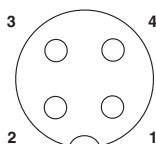
|     |
|-----|
| EAC |
|-----|

|     |
|-----|
| EAC |
|-----|

|                  |
|------------------|
| cULus Recognized |
|------------------|

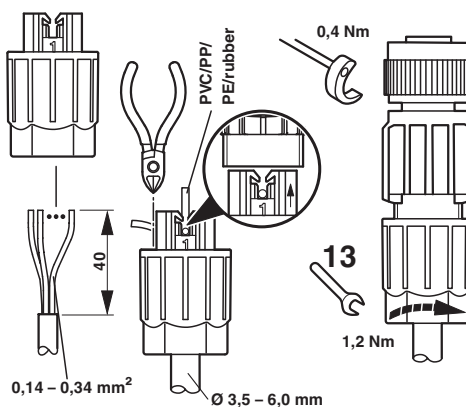
## Drawings

Schematic diagram

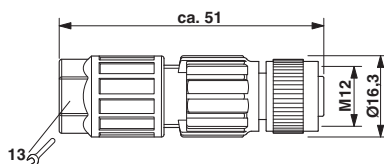


Pin assignment M12 socket, 4-pos., A-coded, view female side

Functional drawing



Dimensional drawing



M12 x 1 socket, straight

Phoenix Contact 2016 © - all rights reserved  
<http://www.phoenixcontact.com>

PHOENIX CONTACT GmbH & Co. KG  
Flachmarktstr. 8  
32825 Blomberg  
Germany  
Tel. +49 5235 300  
Fax +49 5235 3 41200  
<http://www.phoenixcontact.com>

Below is a list of articles with direct links to our shop Electric Automation Network where you can see:

- Quote per purchase volume in real time.
- Online documentation and datasheets of all products.
- Estimated delivery time enquiry in real time.
- Logistics systems for the shipment of materials almost anywhere in the world.
- Purchasing management, order record and tracking of shipments.

To access the product, [click on the green button.](#)

| <b>Product</b>  | <b>Code</b> | <b>Reference</b>          | <b>Product link</b>        |
|---|-------------|---------------------------|----------------------------|
| Sensor/actuator connector, 4-position, Socket straight M12 SPEEDCON, A-coded, Insulation displacement connection, Knurl material: Zinc die-cast, nickel-plated, External cable diameter 3.5 mm ... 6 mm | 1521588     | SACC-FS-4QO-0,34-M<br>SCO | <a href="#">Buy on EAN</a> |