



**Automatización Eléctrica**  
Especialistas en Automatización

At the end of this document you will find links to products related to this catalog. You can go directly to our shop by clicking [HERE](#). [HERE](#)

## Sensor/actuator box - SACB-6/ 6-L- 5,0PUR SCO - 1517123

Please be informed that the data shown in this PDF Document is generated from our Online Catalog. Please find the complete data in the user's documentation. Our General Terms of Use for Downloads are valid (<http://phoenixcontact.com/download>)



Sensor/actuator box, Application: Standard, Connection method: M12-SPEEDCON-socket Metal, Number of slots: 6, Number of positions: 4, Coding: A - standard, Slot assignment: single, Status indication: Yes, pnp; Master cable connection: Fixed connection 180°, PUR/PVC, Cable length: 5 m, Shielding: No

### Why buy this product

- Safety in the field, thanks to molded housing and high degree of protection
- Flexible, distributed bundling of signals in one master cable
- Convenient: increased machine availability thanks to quick and easy diagnostics
- Save time, thanks to installation with SPEEDCON fast locking system



### Key Commercial Data

|              |                 |
|--------------|-----------------|
| Packing unit | 1 STK           |
| GTIN         | 4 017918 967796 |

### Technical data

#### General

|  |                     |
|--|---------------------|
| Rated voltage                            | 24 V DC             |
| Max. operating voltage $U_{max}$         | 30 V DC             |
| Current carrying capacity per I/O signal | 2 A                 |
| Current carrying capacity per slot       | 4 A                 |
| Total rated current                      | 12 A                |
| Number of positions                      | 4                   |
| Number of slots                          | 6                   |
| Flammability rating according to UL 94   | V0                  |
| Sensor/actuator connection system        | M12-SPEEDCON-socket |

#### Ambient conditions

|                      |       |
|----------------------|-------|
| Degree of protection | IP65  |
|                      | IP67  |
|                      | IP69K |

# Sensor/actuator box - SACB-6/ 6-L- 5,0PUR SCO - 1517123

## Technical data

### Ambient conditions

|                                 |   |
|---------------------------------|---|
| Ambient temperature (operation) | -30 °C ... 90 °C                            |
|                                 | -40 °C ... 90 °C (for fixed installation)   |
|                                 | -5 °C ... 80 °C (for flexible installation) |

### Local diagnostics function

|                   |                               |
|-------------------|-------------------------------|
| Local diagnostics | Supply voltage Green LED      |
|                   | Status display I/O Yellow LED |

### Master cable connection data

|  |                  |
|--|------------------|
| Connection method  | Fixed connection |
| Length of cable  | 5 m              |
| Tightening torque slot sensor/actuator cable               | 0.4 Nm           |
| Tightening torque of mounting screw for fixing the housing | 0.5 Nm           |

### Insulation material

|                                     |               |
|-------------------------------------|---------------|
| Housing material                    | PBT           |
| Material of the moulding mass       | PUR           |
| Contact material                    | Cu alloy      |
| Contact surface material            | Gold-plated   |
| Contact carrier material            | PA            |
| Material of threaded sleeve         | Zinc die-cast |
| Material of threaded sleeve surface | Nickel-plated |
| O-ring material                     | NBR           |

### Pin assignment

|  |                       |
|--|-----------------------|
| Slot/position = Wire color or connection | 1 / 4 (A) = WH        |
|  | 2 / 4 (A) = GN        |
|  | 3 / 4 (A) = YE        |
|  | 4 / 4 (A) = GY        |
|  | 5 / 4 (A) = PK        |
|  | 6 / 4 (A) = RD        |
|  | 1-6 / 1 (+ 24 V) = BN |
|  | 1-6 / 3 (0 V) = BU    |
|  | 1-6 / 5 (PE) = GN/YE  |

### Standards and Regulations

|  |                 |
|--|-----------------|
| Standard designation                   | M12 connector   |
| Standards/regulations                  | IEC 61076-2-101 |
| Connection in acc. with standard       | CUL             |
| Flammability rating according to UL 94 | V0              |

### Cable

|                           |               |
|---------------------------|---------------|
| Cable type                | PUR/PVC black |
| Cable type (abbreviation) | PUR           |

## Sensor/actuator box - SACB-6/ 6-L- 5,0PUR SCO - 1517123

### Technical data

#### Cable

|   |  |
|---|--|
| Cable abbreviation                            | LiYY11Y-HF   |
| UL AWM style                                  | 20549  |
| Conductor cross section                       | 6x 0.34 mm <sup>2</sup> (Signal line)                      |
|   | 3x 0.75 mm <sup>2</sup> (power line)                       |
| AWG signal line                               | 22   |
| AWG power supply                              | 18   |
| Conductor structure signal line               | 19x 0.15 mm  |
| Conductor structure, voltage supply           | 42x 0.15 mm  |
| Core diameter including insulation            | 1.3 mm ±0.1 mm (Signal line)                               |
|   | 1.8 mm ±0.1 mm (power line)                                |
| Thickness, insulation                         | ≥ 0.15 mm (Inner sheath)                                   |
|   | ≥ 0.38 mm (Outer cable sheath)                             |
| Overall twist                                 | Wires twisted in layers                                    |
| External sheath, color                        | black RAL 9005   |
| External cable diameter D                     | 8 mm ±0.2 mm   |
| Minimum bending radius, fixed installation    | 7.5 x D  |
| Minimum bending radius, flexible installation | 10 x D   |
| Number of bending cycles                      | 1500000  |
| Bending radius                                | 80 mm  |
| Traversing path                               | 2 m  |
| Traversing rate                               | 2 m/s  |
| Cable weight                                  | 96.6 kg/km   |
| Outer sheath, material                        | PUR  |
| Material, inner sheath                        | PVC  |
| Material conductor insulation                 | PVC  |
| Conductor material                            | Bare Cu litz wires   |
| Nominal voltage, cable                        | 300 V  |
| Test voltage, cable                           | 2000 V   |
| Special properties                            | Silicone-free  |
| Flame resistance                              | DIN EN 50265   |
| Resistance to oil                             | As per VDE 0472 Part 803                                   |
| Other resistance                              | Highly resistant to acids, alkaline solutions and solvents |
| Ambient temperature (operation)               | -40 °C ... 90 °C (cable, fixed installation)               |
|   | -5 °C ... 80 °C (cable, flexible installation)             |

### Classifications

#### eCl@ss

|            |          |
|------------|----------|
| eCl@ss 4.0 | 27140815 |
| eCl@ss 4.1 | 27140815 |

# Sensor/actuator box - SACB-6/ 6-L- 5,0PUR SCO - 1517123

## Classifications

### eCl@ss

|            |          |
|------------|----------|
| eCl@ss 5.0 | 27143423 |
| eCl@ss 5.1 | 27143423 |
| eCl@ss 6.0 | 27143423 |
| eCl@ss 7.0 | 27449001 |
| eCl@ss 8.0 | 27279219 |

### ETIM

|          |          |
|----------|----------|
| ETIM 2.0 | EC000200 |
| ETIM 3.0 | EC001856 |
| ETIM 4.0 | EC002585 |
| ETIM 5.0 | EC002585 |

### UNSPSC

|               |          |
|---------------|----------|
| UNSPSC 6.01   | 31261501 |
| UNSPSC 7.0901 | 31261501 |
| UNSPSC 11     | 31261501 |
| UNSPSC 12.01  | 31261501 |
| UNSPSC 13.2   | 31261501 |

## Approvals

### Approvals

---

Approvals

EAC / cULus Recognized

---

Ex Approvals


---

Approvals submitted

---

### Approval details

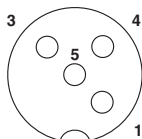
|     |
|-----|
| EAC |
|-----|

|  |
|--|
| cULus Recognized  |
|--|

## Drawings

# Sensor/actuator box - SACB-6/ 6-L- 5,0PUR SCO - 1517123

Schematic diagram



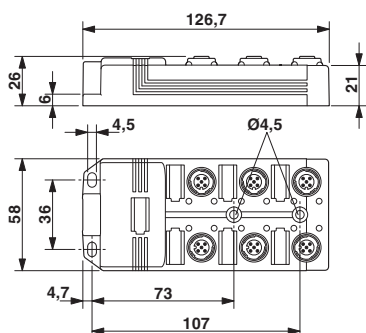
M12 slot, socket, 4-pos.

Cable cross section

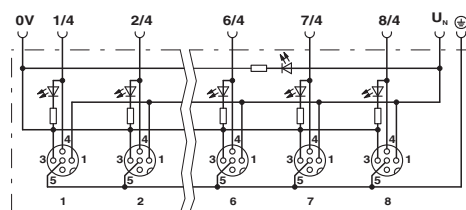


PUR/PVC black [PUR]

Dimensional drawing



Circuit diagram



Phoenix Contact 2016 © - all rights reserved  
<http://www.phoenixcontact.com>

PHOENIX CONTACT GmbH & Co. KG  
Flachsmarktstr. 8  
32825 Blomberg  
Germany  
Tel. +49 5235 300  
Fax +49 5235 3 41200  
<http://www.phoenixcontact.com>

Below is a list of articles with direct links to our shop Electric Automation Network where you can see:

- Quote per purchase volume in real time.
- Online documentation and datasheets of all products.
- Estimated delivery time enquiry in real time.
- Logistics systems for the shipment of materials almost anywhere in the world.
- Purchasing management, order record and tracking of shipments.

To access the product, [click on the green button.](#)

| Product   | Code    | Reference              | Product link               |
|---|---------|------------------------|----------------------------|
| Sensor/actuator box, Application: Standard, Connection method: M12-SPEEDCON-socket Metal, Number of slots: 6, Number of positions: 4, Coding: A - standard, Slot assignment: single, Status indication: Yes, pnp; Master cable connection: Fixed connection 180°, PUR/PVC, Cable length: 5 m, Shielding: No | 1517123 | SACB-6/ 6-L-5,0PUR SCO | <a href="#">Buy on EAN</a> |