



**Automatización Eléctrica**  
Especialistas en Automatización

At the end of this document you will find links to products related to this catalog. You can go directly to our shop by clicking [HERE](#). [HERE](#)


## Housing - HC-B 6-TFL-H-O1STM32G - 1460029

Please be informed that the data shown in this PDF Document is generated from our Online Catalog. Please find the complete data in the user's documentation. Our General Terms of Use for Downloads are valid (<http://phoenixcontact.com/download>)



HEAVYCON B6 sleeve housing, for single locking latch, height: 72 mm, with 1 x M32 thread, straight cable outlet

### Key Commercial Data

Packing unit	10 STK
GTIN	 4 046356 695190

### Technical data

#### Dimensions

Height	72 mm
Width	43 mm
Length	60 mm

#### Ambient conditions

Degree of protection of housing (IP)	IP65
Ambient temperature (operation)	-40 °C ... 125 °C

#### General

Note	For contact inserts HC-B6, BB10, DD24, M Tall housings for extra large wiring space
Type	B6
Housing type	Sleeve housing
Locking type	for single locking latch
No. of cable outlets	1
Cable exit	straight
Screw connection	none
Type of the screw connection	1x M32
Housing material	Aluminum die-cast
Housing surface material	Powder-coated, gray

# Housing - HC-B 6-TFL-H-O1STM32G - 1460029

## Classifications

### eCl@ss

eCl@ss 4.0	27140816
eCl@ss 4.1	27140816
eCl@ss 5.0	27143424
eCl@ss 5.1	27143424
eCl@ss 6.0	27143424
eCl@ss 7.0	27440209
eCl@ss 8.0	27440202
eCl@ss 9.0	27440202

### ETIM

ETIM 3.0	EC000437
ETIM 4.0	EC000437
ETIM 5.0	EC000437

### UNSPSC

UNSPSC 6.01	31261502
UNSPSC 7.0901	31261502
UNSPSC 11	31261502
UNSPSC 12.01	31261502
UNSPSC 13.2	31261502

## Approvals

### Approvals

---

Approvals

EAC

---

Ex Approvals

---

Approvals submitted

---

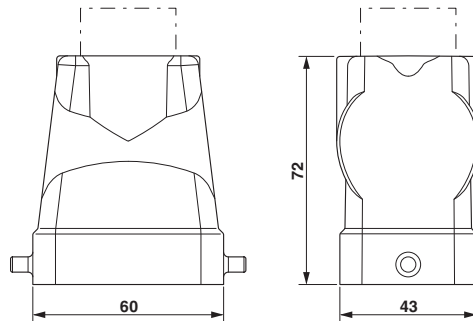
### Approval details

EAC
-----

## Drawings

## Housing - HC-B 6-TFL-H-O1STM32G - 1460029

Dimensional drawing



Dimensional drawing

---

Phoenix Contact 2016 © - all rights reserved  
<http://www.phoenixcontact.com>

PHOENIX CONTACT GmbH & Co. KG  
Flachsmarktstr. 8  
32825 Blomberg  
Germany  
Tel. +49 5235 300  
Fax +49 5235 3 41200  
<http://www.phoenixcontact.com>

Below is a list of articles with direct links to our shop Electric Automation Network where you can see:

- Quote per purchase volume in real time.
- Online documentation and datasheets of all products.
- Estimated delivery time enquiry in real time.
- Logistics systems for the shipment of materials almost anywhere in the world.
- Purchasing management, order record and tracking of shipments.

To access the product, [click on the green button.](#)

<b>Product</b>	<b>Code</b>	<b>Reference</b>	<b>Product link</b>
HEAVYCON B6 sleeve housing, for single locking latch, height: 72 mm, with 1 x M32 thread, straight cable outlet	1460029	HC-B 6-TFL-H-O1STM32G	<a href="#">Buy on EAN</a>