



**Automatización Eléctrica**  
Especialistas en Automatización

At the end of this document you will find links to products related to this catalog. You can go directly to our shop by clicking [HERE](#). [HERE](#)

## Connector - SACC-FRD-4SC SH PN SCO - 1436767

Please be informed that the data shown in this PDF Document is generated from our Online Catalog. Please find the complete data in the user's documentation. Our General Terms of Use for Downloads are valid (<http://phoenixcontact.com/download>)

Connector, PROFINET CAT5 (100 Mbps), 4-position, shielded, Socket angled M12, D-coded, Spring-cage connection, Knurl material: Zinc die-cast, nickel-plated, External cable diameter 4 mm ... 8 mm



### Why buy this product

- Safe use in the field, thanks to a high degree of protection
- Flexible: connectors for on-site assembly
- Save time, thanks to installation with SPEEDCON fast locking system
- Spring-cage connection: connect more securely, even in the case of shock and vibration, thanks to high contact forces
- Reliable signal transmission - 360° shielding in environments with electromagnetic interference



### Key Commercial Data

|              |   |
|--------------|---|
| Packing unit | 1 STK   |
| GTIN         | <br>4 046356 435307 |

### Technical data

#### Dimensions

|   |               |
|---|---------------|
| External diameter                       | 4 mm ... 8 mm |
| Stripping length of the sheath          | 35 mm         |
| Stripping length of the individual wire | 10 mm         |

#### Ambient conditions

|                                 |                                  |
|---------------------------------|----------------------------------|
| Ambient temperature (operation) | -40 °C ... 85 °C (Plug / socket) |
| Degree of protection            | IP67                             |

#### General

|                       |  |
|-----------------------|--|
| Note                  | This product corresponds to the PROFINET Cabling and Interconnection Technology Guideline for PROFINET regulations, version 2.00, order no: 2.252, Chapter 8.2 Connectors for Outside Environment (Balanced cabling) |
| Rated current at 40°C | 4 A  |
| Rated voltage         | 60 V DC  |

# Connector - SACC-FRD-4SC SH PN SCO - 1436767

## Technical data

### General

|                             |   |
|-----------------------------|---|
|                             | 48 V AC   |
| Number of positions         | 4   |
| Insulation resistance       | ≥ 100 MΩ  |
| Coding                      | D - data  |
| Standards/regulations       | M12 connector IEC 61076-2-101                                       |
|                             | Shock, vibration EN 50155:2001                                      |
| Signal type/category        | PROFINET CAT5 (IEC 11801), 100 Mbps                                 |
| Status display              | No  |
| Overvoltage category        | II  |
| Degree of pollution         | 3   |
| Connection method           | Spring-cage connection  |
| Conductor cross section     | 0.14 mm <sup>2</sup> ... 0.5 mm <sup>2</sup>                        |
| Conductor cross section AWG | 26 ... 20   |
| Insertion/withdrawal cycles | ≥ 100   |
| Torque                      | 0.4 Nm (M12 knurl)  |
|                             | 0.8 Nm (Connector with coupling sleeve)                             |
|                             | 3 Nm (Pressure nut with coupling sleeve)                            |
| Assembly instructions       | The connector pin assignment can be rotated 45° to the cable outlet |
|                             | The wires can be connected both with ferrules and without ferrules  |

### Material

|  |                              |
|--|------------------------------|
| Flammability rating according to UL 94 | V0                           |
| Contact material                       | CuSn                         |
| Contact surface material               | Ni/Au                        |
| Contact carrier material               | TPU                          |
| Material of grip body                  | Zinc die-cast, nickel-plated |
| Material, knurls                       | Zinc die-cast, nickel-plated |
| Sealing material                       | NBR                          |

### Standards and Regulations

|  |                  |
|--|------------------|
| Standard designation                   | M12 connector    |
| Standards/regulations                  | IEC 61076-2-101  |
| Standard designation                   | Shock, vibration |
| Standards/regulations                  | EN 50155:2001    |
| Flammability rating according to UL 94 | V0               |

### Classifications

#### eCl@ss

|            |          |
|------------|----------|
| eCl@ss 4.0 | 27250313 |
| eCl@ss 4.1 | 27250313 |
| eCl@ss 5.0 | 27143423 |

# Connector - SACC-FRD-4SC SH PN SCO - 1436767

## Classifications

### eCl@ss

|            |          |
|------------|----------|
| eCl@ss 5.1 | 27143423 |
| eCl@ss 6.0 | 27143423 |
| eCl@ss 7.0 | 27449001 |
| eCl@ss 8.0 | 27440104 |
| eCl@ss 9.0 | 27440102 |

### ETIM

|          |          |
|----------|----------|
| ETIM 3.0 | EC002062 |
| ETIM 4.0 | EC002062 |
| ETIM 5.0 | EC002062 |

### UNSPSC

|               |          |
|---------------|----------|
| UNSPSC 6.01   | 31251501 |
| UNSPSC 7.0901 | 31251501 |
| UNSPSC 11     | 31251501 |
| UNSPSC 12.01  | 31251501 |
| UNSPSC 13.2   | 31251501 |

## Approvals

### Approvals

---

Approvals

EAC

---

Ex Approvals

---

Approvals submitted

---

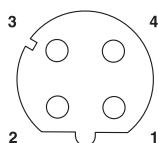
### Approval details

|     |
|-----|
| EAC |
|-----|

## Drawings

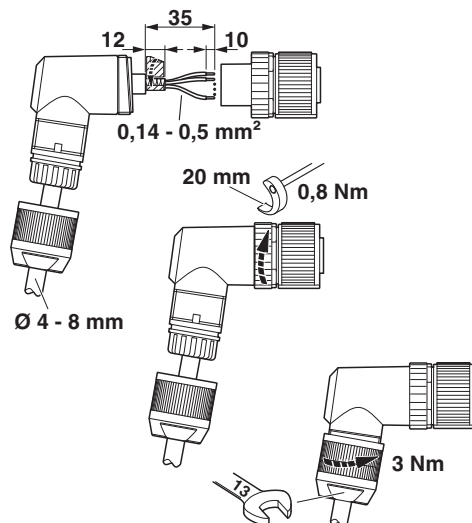
# Connector - SACC-FRD-4SC SH PN SCO - 1436767

Schematic diagram



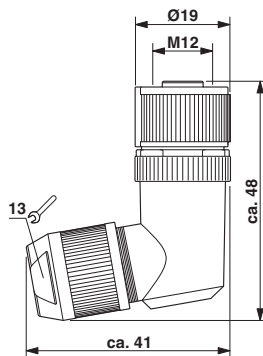
Pin assignment M12 socket, 4-pos., D-coded, female side

Functional drawing



Slide the pressure nut and sleeve housing along the cable, strip the cable, shorten the shield, strip the single wires, connect the wires, in the case of a straight sleeve housing gently twist the wires together, stick the shielding foil around the shortened shield, in the case of a cable outside diameter < 6 mm stick an additional shielding foil around the wire pack, screw the sleeve housing to the plug insert, screw the pressure nut tight.

Dimensional drawing



Socket M12-SPEEDCON, angled, shielded

Phoenix Contact 2016 © - all rights reserved  
<http://www.phoenixcontact.com>

PHOENIX CONTACT GmbH & Co. KG  
Flachsmarktstr. 8  
32825 Blomberg  
Germany  
Tel. +49 5235 300  
Fax +49 5235 3 41200  
<http://www.phoenixcontact.com>



Below is a list of articles with direct links to our shop Electric Automation Network where you can see:

- Quote per purchase volume in real time.
- Online documentation and datasheets of all products.
- Estimated delivery time enquiry in real time.
- Logistics systems for the shipment of materials almost anywhere in the world.
- Purchasing management, order record and tracking of shipments.

To access the product, [click on the green button.](#)

| Product  | Code    | Reference                 | Product link               |
|--|---------|---------------------------|----------------------------|
| Bus system connector, PROFINET CAT5 (100 Mbps), PROFINET CAT5e (100 Mbps), 4-position, Socket angled M12, D-coded, Spring-cage conn., Knurl material: Nickel-plated brass, External cable diameter 4 mm ... 8 mm | 1436767 | SACC-FRD-4SC SH<br>PN SCO | <a href="#">Buy on EAN</a> |