



Automatización Eléctrica
Especialistas en Automatización

At the end of this document you will find links to products related to this catalog. You can go directly to our shop by clicking [HERE](#). [HERE](#)

FO connectors - VS-V1-C-SCRJ-MNNA-PG9-A4A-G - 1419189

Please be informed that the data shown in this PDF Document is generated from our Online Catalog. Please find the complete data in the user's documentation. Our General Terms of Use for Downloads are valid (<http://phoenixcontact.com/download>)



SC-RJ fiber optic connector, IP67, with bayonet locking, metal housing, duplex, with adhesive connection technology, for POF fiber, for cable diameter of 5.0 mm ... 10 mm

EtherNet/IP

Key Commercial Data

Packing unit	1 STK
GTIN	 4 046356 540421

Technical data

Mechanical characteristics

Number of positions	2
Number of slots	1
Locking type	Bayonet locking
Fiber type	POF fiber A4A
Insertion/withdrawal cycles	500
Connection method	SC duplex
Max. cable diameter	5 mm ... 10 mm
Color	silver

Ambient conditions

Ambient temperature (operation)	-40 °C ... 70 °C
---------------------------------	------------------

Material data

Housing material	Zinc die-cast
Material	Metal

Electrical characteristics

Number of positions	2
---------------------	---

Classifications

eCl@ss

eCl@ss 4.0	27140816
------------	----------

FO connectors - VS-V1-C-SCRJ-MNNA-PG9-A4A-G - 1419189

Classifications

eCl@ss

eCl@ss 4.1	27260701
eCl@ss 5.0	27260701
eCl@ss 5.1	27260701
eCl@ss 6.0	27260709
eCl@ss 7.0	27440305
eCl@ss 8.0	19170122

ETIM

ETIM 2.0	EC001122
ETIM 3.0	EC001122
ETIM 4.0	EC001122
ETIM 5.0	EC001122

UNSPSC

UNSPSC 6.01	30211832
UNSPSC 7.0901	31261501
UNSPSC 11	31261501
UNSPSC 12.01	31261501
UNSPSC 13.2	39121429

Approvals

Approvals

Approvals

EAC

Ex Approvals

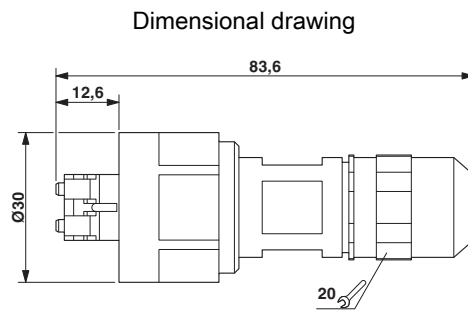
Approvals submitted

Approval details

EAC

Drawings

FO connectors - VS-V1-C-SCRJ-MNNA-PG9-A4A-G - 1419189



Phoenix Contact 2016 © - all rights reserved
<http://www.phoenixcontact.com>

PHOENIX CONTACT GmbH & Co. KG
Flachsmarktstr. 8
32825 Blomberg
Germany
Tel. +49 5235 300
Fax +49 5235 3 41200
<http://www.phoenixcontact.com>

Below is a list of articles with direct links to our shop Electric Automation Network where you can see:

- Quote per purchase volume in real time.
- Online documentation and datasheets of all products.
- Estimated delivery time enquiry in real time.
- Logistics systems for the shipment of materials almost anywhere in the world.
- Purchasing management, order record and tracking of shipments.

To access the product, [click on the green button.](#)

Product	Code	Reference	Product link
SC-RJ fiber optic connector, IP67, with bayonet locking, metal housing, duplex, with adhesive connection technology, for POF fiber, for cable diameter of 5.0 mm ... 10 mm	1419189	VS-V1-C-SCRJ-MNNA-PG9-A4A-G	Buy on EAN