



Automatización Eléctrica
Especialistas en Automatización

At the end of this document you will find links to products related to this catalog. You can go directly to our shop by clicking [HERE](#). [HERE](#)

RJ45 connector - VS-V1-C-RJ45-MNNA-PG9-8-I-5-S - 1419182

Please be informed that the data shown in this PDF Document is generated from our Online Catalog. Please find the complete data in the user's documentation. Our General Terms of Use for Downloads are valid (<http://phoenixcontact.com/download>)



RJ45 connector, IP67, with bayonet locking, metal housing, CAT5e, 8-pos., IDC connection method, for 26 AWG 7-wire conductors, for 5.0 mm ... 10.0 mm cable diameter

EtherNet/IP

Key Commercial Data

Packing unit	1 STK
GTIN	 4 046356 539555

Technical data

Mechanical characteristics

Number of positions	8
Number of slots	1
Insertion/withdrawal cycles	750
Connection method	IDC connection
Conductor cross section	0.11 mm ² ... 0.23 mm ²
Connection cross section AWG	27 ... 24 (stranded)
Max. cable diameter	5 mm ... 10 mm
External cable diameter	5 mm ... 10 mm
Color	silver

Ambient conditions

Ambient temperature (operation)	-40 °C ... 70 °C
---------------------------------	------------------

Material data

Flammability rating according to UL 94	V0
Housing material	Zinc die-cast
Cable seal material	PA/EPDM

Electrical characteristics

Number of positions	8
Transmission characteristics (category)	CAT5 (IEC 11801:2002)
Rated current	1.75 A
Overvoltage category	I

RJ45 connector - VS-V1-C-RJ45-MNNA-PG9-8-I-5-S - 1419182

Technical data

Electrical characteristics

Degree of pollution	2
---------------------	---

Standards and Regulations

Flammability rating according to UL 94	V0
--	----

Classifications

eCl@ss

eCl@ss 4.0	27140816
eCl@ss 4.1	27260701
eCl@ss 5.0	27260701
eCl@ss 5.1	27260701
eCl@ss 6.0	27260705
eCl@ss 7.0	27440309
eCl@ss 8.0	27440312

ETIM

ETIM 2.0	EC000764
ETIM 3.0	EC001121
ETIM 4.0	EC001121
ETIM 5.0	EC001121

UNSPSC

UNSPSC 6.01	30211824
UNSPSC 7.0901	31261501
UNSPSC 11	31261501
UNSPSC 12.01	31261501
UNSPSC 13.2	31261501

Approvals

Approvals

Approvals

EAC / EAC

Ex Approvals

Approvals submitted

RJ45 connector - VS-V1-C-RJ45-MNNA-PG9-8-I-5-S - 1419182

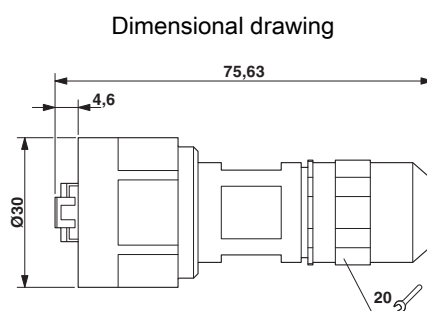
Approvals

Approval details

EAC

EAC

Drawings



Phoenix Contact 2016 © - all rights reserved
<http://www.phoenixcontact.com>

PHOENIX CONTACT GmbH & Co. KG
Flachsmarktstr. 8
32825 Blomberg
Germany
Tel. +49 5235 300
Fax +49 5235 3 41200
<http://www.phoenixcontact.com>

Below is a list of articles with direct links to our shop Electric Automation Network where you can see:

- Quote per purchase volume in real time.
- Online documentation and datasheets of all products.
- Estimated delivery time enquiry in real time.
- Logistics systems for the shipment of materials almost anywhere in the world.
- Purchasing management, order record and tracking of shipments.

To access the product, [click on the green button.](#)

Product	Code	Reference	Product link
RJ45 connector, IP67, with bayonet locking, metal housing, CAT5e, 8-pos., IDC connection method, for 26 AWG 7-wire conductors, for 5.0 mm ... 10.0 mm cable diameter	1419182	VS-V1-C-RJ45-MNNA-PG9-8-I-5-S	Buy on EAN