



Automatización Eléctrica
Especialistas en Automatización

At the end of this document you will find links to products related to this catalog. You can go directly to our shop by clicking HERE. [HERE](#)

RJ45 connector - VS-08-RJ45-10G/Q - 1419001

Please be informed that the data shown in this PDF Document is generated from our Online Catalog. Please find the complete data in the user's documentation. Our General Terms of Use for Downloads are valid (<http://phoenixcontact.com/download>)



RJ45 connector, IP20, CAT6_A, 8-pos., with QUICKON fast connection technology, for 26 ... 24 AWG 1-wire and 7-wire conductors, color: black

Why buy this product

- assembly without special tools
- UL
- Solid and stranded wires (1- and 7-wire)



Ethernet

Key Commercial Data

Packing unit	1 STK
GTIN	 4 046356 521567

Technical data

Mechanical characteristics

Number of positions	8
Connection profile	RJ45
Shielded	yes
Insertion/withdrawal cycles	≥ 750
Connection method	IDC fast connection
Conductor cross section	0.13 mm ² ... 0.21 mm ² (solid) 0.14 mm ² ... 0.23 mm ² (7-wire)
Connection cross section AWG	26 ... 24 (solid) 26 ... 24 (7-wire)
Max. cable diameter	4.5 mm ... 8 mm
External cable diameter	4.5 mm ... 8 mm
Cable exit	straight
Color	yellow

RJ45 connector - VS-08-RJ45-10G/Q - 1419001

Technical data

Ambient conditions

Ambient temperature (operation)	-40 °C ... 70 °C
---------------------------------	------------------

Material data

Flammability rating according to UL 94	V2
Housing material	PA 6.6
Contact carrier material	PC
Contact material	CuSn
Contact surface material	Gold over nickel

Electrical characteristics

Number of positions	8
Nominal voltage U_N	50 V
Nominal current I_N	1.75 A
Transmission speed	10 GBit/s
Transmission characteristics (category)	CAT6 _A (IEC 60512-27-100:2008, TIA-568-C.2:2009)
Rated current	1.75 A
Overvoltage category	I
Degree of pollution	2

Standards and Regulations

Flammability rating according to UL 94	V2
--	----

Classifications

eCl@ss

eCl@ss 4.0	27140816
eCl@ss 4.1	27260701
eCl@ss 5.0	27260701
eCl@ss 5.1	27260701
eCl@ss 6.0	27260705
eCl@ss 7.0	27440309
eCl@ss 8.0	27440312

ETIM

ETIM 2.0	EC000764
ETIM 3.0	EC001121
ETIM 4.0	EC002641
ETIM 5.0	EC002641

UNSPSC

UNSPSC 6.01	30211824
UNSPSC 7.0901	31261501
UNSPSC 11	31261501

RJ45 connector - VS-08-RJ45-10G/Q - 1419001

Classifications

UNSPSC

UNSPSC 12.01	31261501
UNSPSC 13.2	31261501

Approvals

Approvals

Approvals

EAC / EAC / UL Listed / cUL Listed / cULus Listed

Ex Approvals

Approvals submitted

Approval details

EAC

EAC

UL Listed	
Nominal current IN	1.75 A
Nominal voltage UN	57 V

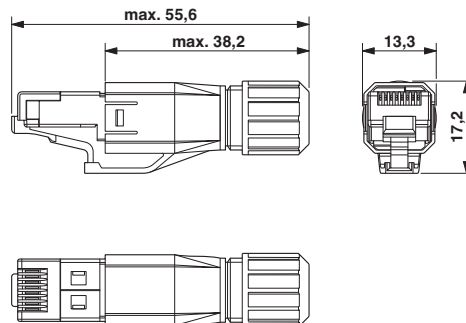
cUL Listed	
Nominal current IN	1.75 A
Nominal voltage UN	57 V

cULus Listed	
--------------	--

Drawings

RJ45 connector - VS-08-RJ45-10G/Q - 1419001

Dimensional drawing



RJ45 connector, IP20

Phoenix Contact 2016 © - all rights reserved
<http://www.phoenixcontact.com>

PHOENIX CONTACT GmbH & Co. KG
Flachsmarktstr. 8
32825 Blomberg
Germany
Tel. +49 5235 300
Fax +49 5235 3 41200
<http://www.phoenixcontact.com>



Automatización Eléctrica
Especialistas en Automatización

Below is a list of articles with direct links to our shop Electric Automation Network where you can see:

- Quote per purchase volume in real time.
- Online documentation and datasheets of all products.
- Estimated delivery time enquiry in real time.
- Logistics systems for the shipment of materials almost anywhere in the world.
- Purchasing management, order record and tracking of shipments.

To access the product, [click on the green button.](#)

Product	Code	Reference	Product link
RJ45 connector, IP20, CAT6A, 8-pos., with QUICKON fast connection technology, for 26 ... 24 AWG 1-wire and 7-wire conductors, color: black	1419001	VS-08-RJ45-10G/Q	Buy on EAN