



Automatización Eléctrica
Especialistas en Automatización

At the end of this document you will find links to products related to this catalog. You can go directly to our shop by clicking [HERE](#). [HERE](#)

Base plate - MD-INC-1-SZP-S - 1415245

Please be informed that the data shown in this PDF Document is generated from our Online Catalog. Please find the complete data in the user's documentation. Our General Terms of Use for Downloads are valid (<http://phoenixcontact.com/download>)

Base plate, with seal, for CES Multigates, with 1 opening, including mounting screws



Product Description

8 mounting screws (M5x12)/washers are supplied as standard

Key Commercial Data

| | |
|--------------|---------------------|
| Packing unit | 1 STK |
| GTIN | 4 055626 039503 |

Technical data

Ambient conditions

| | |
|---------------------------------|-------------------|
| Ambient temperature (operation) | -40 °C ... 100 °C |
|---------------------------------|-------------------|

General

| | |
|---------------------------|------------------------------------------------------------------------------------------------------------------------------------------------|
| Product description | 8 mounting screws (M5x12)/washers are supplied as standard |
| Material | Stainless steel 1.4301/AISI 304 |
| | NBR (Seal) |
| Color | silver |
| Torque | 1 Nm ... 1.2 Nm (Mounting screw, M5) |
| Note | incl. mounting screws |
| Installation instructions | Diameter of fixing hole for self-tapping screw: 4.5 mm ... 4.7 mm, mounting screws (M5x12): 1.0 Nm ... 1.2 Nm tightening torque, SW4 Allen key |
| | Make sure the seal is fitted correctly (must not be squeezed out at the sides) |

Classifications

eCl@ss

| | |
|------------|----------|
| eCl@ss 5.1 | 27081002 |
| eCl@ss 6.0 | 27081002 |
| eCl@ss 8.0 | 27081002 |

Base plate - MD-INC-1-SZP-S - 1415245

Classifications

ETIM

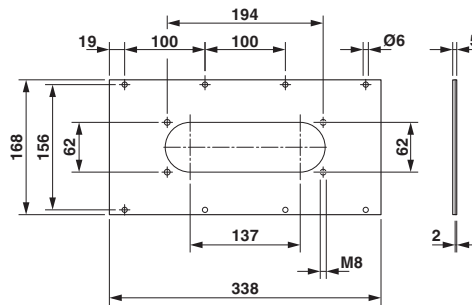
| | |
|----------|----------|
| ETIM 5.0 | EC002498 |
|----------|----------|

Drawings

Dimensional drawing

Dimensional drawing

Wall cutout drawing



Phoenix Contact 2016 © - all rights reserved
<http://www.phoenixcontact.com>

PHOENIX CONTACT GmbH & Co. KG
Flachsmarktstr. 8
32825 Blomberg
Germany
Tel. +49 5235 300
Fax +49 5235 3 41200
<http://www.phoenixcontact.com>



Below is a list of articles with direct links to our shop Electric Automation Network where you can see:

- Quote per purchase volume in real time.
- Online documentation and datasheets of all products.
- Estimated delivery time enquiry in real time.
- Logistics systems for the shipment of materials almost anywhere in the world.
- Purchasing management, order record and tracking of shipments.

To access the product, [click on the green button](#).

| Product | Code | Reference | Product link |
|--------------------------------------------------------------------------------------|---------|----------------|----------------------------|
| Base plate, with seal, for CES Multigates, with 1 opening, including mounting screws | 1415245 | MD-INC-1-SZP-S | Buy on EAN |