



Automatización Eléctrica
Especialistas en Automatización

At the end of this document you will find links to products related to this catalog. You can go directly to our shop by clicking [HERE](#). [HERE](#)

Cable gland - G-ESIS-M63-L68L-NEPDS-S - 1415147

Please be informed that the data shown in this PDF Document is generated from our Online Catalog. Please find the complete data in the user's documentation. Our General Terms of Use for Downloads are valid (<http://phoenixcontact.com/download>)



Cable gland, Cable gland material: Nickel-plated brass, Application: Ex, External cable diameter 34 mm ... 48 mm, Shielding: No, Connecting thread: M63, Color: silver

The figure shows the G-ESIS-M25-M68N-NEPDS-S version

Why buy this product

- Dust protection during storage and transport provided by a dust cap.



Key Commercial Data

| | |
|--------------|---|
| Packing unit | 1 STK |
| GTIN |  4 055626 037912 |

Technical data

Dimensions

| | |
|---------------------------------|-----------------|
| Length | 61 mm |
| Wrench size, union nut | 68 mm |
| Wrench size, support | 68 mm |
| Hexagon angular dimension GRP | 75 mm |
| Length of the connecting thread | 15 mm |
| External cable diameter | 34 mm ... 48 mm |

Ambient conditions

| | |
|---------------------------------|------------------|
| Degree of protection | IP66 |
| | IP68 |
| Ambient temperature (operation) | -40 °C ... 75 °C |

General

| | |
|----------------------|---------------------|
| Cable gland material | Nickel-plated brass |
| Seal material | EPDM |

Cable gland - G-ESIS-M63-L68L-NEPDS-S - 1415147

Technical data

General

| | |
|--------------------------------|-----------------|
| Cable seal material | EPDM |
| O-ring material | EPDM |
| Thread type on connection side | M63 |
| Torque | 40 Nm (Support) |
| Tightening torque, union nut | 40.00 Nm |
| Color | silver |
| Manufacturer | WISKA |
| Manufacturer Designation | EMSKE-L 63 |

Standards and Regulations

| | |
|-------|----------------------------|
| ATEX | II 2 G/D EEx e II IP68 |
| IECEX | Ex e IIC Gb, Ex tb IIIC Db |

Classifications

eCl@ss

| | |
|------------|----------|
| eCl@ss 5.1 | 27149109 |
| eCl@ss 6.0 | 27149109 |
| eCl@ss 8.0 | 27149109 |

ETIM

| | |
|----------|----------|
| ETIM 5.0 | EC000441 |
|----------|----------|

Approvals

Approvals

Approvals

UL Recognized / cUL Recognized / cULus Recognized

Ex Approvals

ATEX / IECEX / EAC Ex / GL

Approvals submitted

Approval details

| |
|---------------|
| UL Recognized |
|---------------|

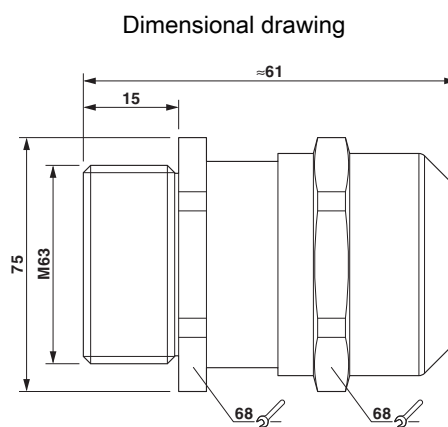
Cable gland - G-ESIS-M63-L68L-NEPDS-S - 1415147

Approvals

cUL Recognized

cULus Recognized

Drawings



Phoenix Contact 2016 © - all rights reserved
<http://www.phoenixcontact.com>

PHOENIX CONTACT GmbH & Co. KG
Flachsmarktstr. 8
32825 Blomberg
Germany
Tel. +49 5235 300
Fax +49 5235 3 41200
<http://www.phoenixcontact.com>

Below is a list of articles with direct links to our shop Electric Automation Network where you can see:

- Quote per purchase volume in real time.
- Online documentation and datasheets of all products.
- Estimated delivery time enquiry in real time.
- Logistics systems for the shipment of materials almost anywhere in the world.
- Purchasing management, order record and tracking of shipments.

To access the product, [click on the green button.](#)

| Product | Code | Reference | Product link |
|--|-------------|-------------------------|----------------------------|
| Cable gland, Cable gland material: Nickel-plated brass, Application: Ex, External cable diameter 34 mm ... 48 mm, Shielding: No, Connecting thread: M63, Color: silver | 1415147 | G-ESIS-M63-L68L-NEPDS-S | Buy on EAN |