



**Automatización Eléctrica**  
Especialistas en Automatización

At the end of this document you will find links to products related to this catalog. You can go directly to our shop by clicking [HERE](#). [HERE](#)

## Cable gland - G-ESIS-M32-M68L-NEPDS-S - 1415127

Please be informed that the data shown in this PDF Document is generated from our Online Catalog. Please find the complete data in the user's documentation. Our General Terms of Use for Downloads are valid (<http://phoenixcontact.com/download>)



Cable gland, Cable gland material: Nickel-plated brass, Application: Ex, External cable diameter 13 mm ... 21 mm, Shielding: No, Connecting thread: M32, Color: silver

The figure shows the G-ESIS-M25-M68N-NEPDS-S version

### Why buy this product

- Dust protection during storage and transport provided by a dust cap.



### Key Commercial Data

Packing unit	5 STK
GTIN	 4 055626 037882

### Technical data

#### Dimensions

Length	43 mm
Wrench size, union nut	36 mm
Wrench size, support	36 mm
Hexagon angular dimension GRP	40 mm
Length of the connecting thread	15 mm
External cable diameter	13 mm ... 21 mm

#### Ambient conditions

Degree of protection	IP66
	IP68 (5 bar / 0.5 h)
Ambient temperature (operation)	-40 °C ... 75 °C

#### General

Cable gland material	Nickel-plated brass
Seal material	EPDM

# Cable gland - G-ESIS-M32-M68L-NEPDS-S - 1415127

## Technical data

### General

Cable seal material	EPDM
O-ring material	EPDM
Thread type on connection side	M32
Torque	20 Nm (Support)
Tightening torque, union nut	20.00 Nm
Color	silver
Manufacturer	WISKA
Manufacturer Designation	EMSKE-L 32

### Standards and Regulations

ATEX	II 2 G/D EEx e II IP68
IECEX	Ex e IIC Gb, Ex tb IIIC Db

## Classifications

### eCl@ss

eCl@ss 5.1	27149109
eCl@ss 6.0	27149109
eCl@ss 8.0	27149109

### ETIM

ETIM 5.0	EC000441
----------	----------

## Approvals

### Approvals

#### Approvals

UL Recognized / cUL Recognized / cULus Recognized

#### Ex Approvals

ATEX / IECEX / EAC Ex / GL

#### Approvals submitted

### Approval details

UL Recognized
---------------

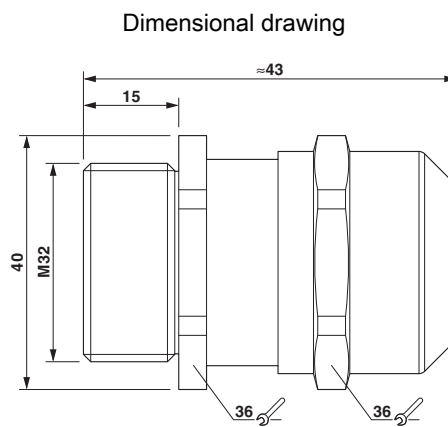
# Cable gland - G-ESIS-M32-M68L-NEPDS-S - 1415127

## Approvals

cUL Recognized

cULus Recognized

## Drawings



Phoenix Contact 2016 © - all rights reserved  
<http://www.phoenixcontact.com>

PHOENIX CONTACT GmbH & Co. KG  
Flachsmarktstr. 8  
32825 Blomberg  
Germany  
Tel. +49 5235 300  
Fax +49 5235 3 41200  
<http://www.phoenixcontact.com>



Below is a list of articles with direct links to our shop Electric Automation Network where you can see:

- Quote per purchase volume in real time.
- Online documentation and datasheets of all products.
- Estimated delivery time enquiry in real time.
- Logistics systems for the shipment of materials almost anywhere in the world.
- Purchasing management, order record and tracking of shipments.

To access the product, [click on the green button.](#)

Product	Code	Reference	Product link
Cable gland, Cable gland material: Nickel-plated brass, Application: Ex, External cable diameter 13 mm ... 21 mm, Shielding: No, Connecting thread: M32, Color: silver	1415127	G-ESIS-M32-M68L-NEPDS-S	<a href="#">Buy on EAN</a>