



Automatización Eléctrica
Especialistas en Automatización

At the end of this document you will find links to products related to this catalog. You can go directly to our shop by clicking [HERE](#). [HERE](#)

Cable gland - G-ESIS-M63-L68L-PEPDS-BL - 1415122

Please be informed that the data shown in this PDF Document is generated from our Online Catalog. Please find the complete data in the user's documentation. Our General Terms of Use for Downloads are valid (<http://phoenixcontact.com/download>)



Cable gland, Cable gland material: Polyamide, Application: Ex, External cable diameter 34 mm ... 48 mm, Shielding: No, Connecting thread: M63, Color: black/blue

The figure shows the G-ESIS-M25-M68L-PEPDS-BL version



Key Commercial Data

Packing unit	1 STK
GTIN	 4 055626 037837

Technical data

Dimensions

Length	67 mm
Wrench size, union nut	68 mm
Wrench size, support	68 mm
Hexagon angular dimension GRP	75 mm
Length of the connecting thread	18 mm
External cable diameter	34 mm ... 48 mm
Impact energy	7.00 J

Ambient conditions

Degree of protection	IP66
	IP68 (5 bar / 0.5 h)
Ambient temperature (operation)	-40 °C ... 75 °C

General

Cable gland material	Polyamide
Seal material	EPDM
O-ring material	EPDM
Thread type on connection side	M63

Cable gland - G-ESIS-M63-L68L-PEPDS-BL - 1415122

Technical data

General

Torque	17 Nm (Support)
Tightening torque, union nut	16.00 Nm
Color	black/blue
Manufacturer	WISKA
Manufacturer Designation	ESKE/1-L-i-63

Standards and Regulations

ATEX	II 2 G Ex e IIC Gb, II 2 D Ex tb IIIC Db
IECEX	Ex e IIC Gb, Ex tb IIIC Db

Classifications

eCl@ss

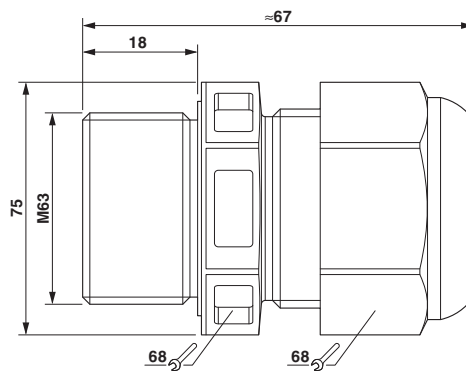
eCl@ss 5.1	27149109
eCl@ss 6.0	27149109
eCl@ss 8.0	27149109

ETIM

ETIM 5.0	EC000441
----------	----------

Drawings

Dimensional drawing



Below is a list of articles with direct links to our shop Electric Automation Network where you can see:

- Quote per purchase volume in real time.
- Online documentation and datasheets of all products.
- Estimated delivery time enquiry in real time.
- Logistics systems for the shipment of materials almost anywhere in the world.
- Purchasing management, order record and tracking of shipments.

To access the product, [click on the green button.](#)

Product	Code	Reference	Product link
Cable gland, Cable gland material: Polyamide, Application: Ex, External cable diameter 34 mm ... 48 mm, Shielding: No, Connecting thread: M63, Color: black/blue	1415122	G-ESIS-M63-L68L-PEPDS-BL	Buy on EAN