



Automatización Eléctrica
Especialistas en Automatización

At the end of this document you will find links to products related to this catalog. You can go directly to our shop by clicking [HERE](#). [HERE](#)

Coupling - VS-MP-PPC/PPC-1G - 1403685

Please be informed that the data shown in this PDF Document is generated from our Online Catalog. Please find the complete data in the user's documentation. Our General Terms of Use for Downloads are valid (<http://phoenixcontact.com/download>)



Multi-port data coupling: for passive PROFINET cabling to robots, including mounting foot

Product Description

Push/pull data coupling; version 14

Why buy this product

- Permanent mounting is also an option
- Robust design
- Including covers to protect against environmental influences



Key Commercial Data

Packing unit	1 STK
GTIN	 4 046356 664349

Technical data

Ambient conditions

Ambient temperature (storage/transport)	-40 °C ... 70 °C
---	------------------

General data

Number of positions	8
Signal type/category	Ethernet CAT5, 1 Gbps

Standards and Regulations

Flammability rating according to UL 94	V0
--	----

Classifications

eCl@ss

eCl@ss 4.0	272607xx
eCl@ss 4.1	27260701

Coupling - VS-MP-PPC/PPC-1G - 1403685

Classifications

eCl@ss

eCl@ss 5.0	27260701
eCl@ss 5.1	27061801
eCl@ss 6.0	27061801
eCl@ss 7.0	27061801
eCl@ss 8.0	19179290

ETIM

ETIM 3.0	EC000830
ETIM 4.0	EC001134
ETIM 5.0	EC001134

UNSPSC

UNSPSC 6.01	26121616
UNSPSC 7.0901	26121616
UNSPSC 11	26121604
UNSPSC 12.01	31261501
UNSPSC 13.2	26121616

Approvals

Approvals

Approvals

EAC

Ex Approvals

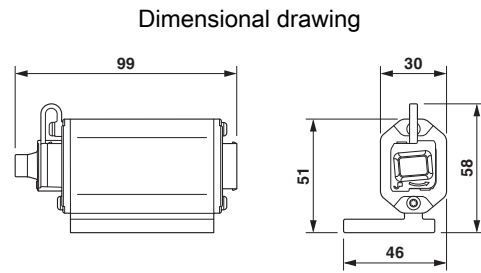
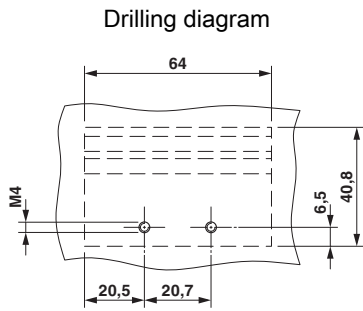
Approvals submitted

Approval details

EAC

Drawings

Coupling - VS-MP-PPC/PPC-1G - 1403685



Dimensional drawing

Phoenix Contact 2016 © - all rights reserved
<http://www.phoenixcontact.com>

PHOENIX CONTACT GmbH & Co. KG
Flachsmarktstr. 8
32825 Blomberg
Germany
Tel. +49 5235 300
Fax +49 5235 3 41200
<http://www.phoenixcontact.com>



Below is a list of articles with direct links to our shop Electric Automation Network where you can see:

- Quote per purchase volume in real time.
- Online documentation and datasheets of all products.
- Estimated delivery time enquiry in real time.
- Logistics systems for the shipment of materials almost anywhere in the world.
- Purchasing management, order record and tracking of shipments.

To access the product, [click on the green button.](#)

Product	Code	Reference	Product link
Multi-port data coupling: for passive PROFINET cabling to robots, including mounting foot	1403685	VS-MP-PPC/ PPC-1G	Buy on EAN