



Automatización Eléctrica
Especialistas en Automatización

At the end of this document you will find links to products related to this catalog. You can go directly to our shop by clicking [HERE](#). [HERE](#)

Coupling - VS-MP-PPC/PPC-PO - 1403684

Please be informed that the data shown in this PDF Document is generated from our Online Catalog. Please find the complete data in the user's documentation. Our General Terms of Use for Downloads are valid (<http://phoenixcontact.com/download>)



Multi-port power coupling: for passive PROFINET cabling to robots, including mounting foot.

Product Description

Push/pull power and data coupling; version 14



Key Commercial Data

Packing unit	1 STK
GTIN	 4 046356 664332

Technical data

General data

Rated current at 40°C	16 A
Rated voltage	24 V

Classifications

eCl@ss

eCl@ss 4.0	272607xx
eCl@ss 4.1	27260701
eCl@ss 5.0	27260701
eCl@ss 5.1	27061801
eCl@ss 6.0	27061801
eCl@ss 7.0	27061801
eCl@ss 8.0	19179290

ETIM

ETIM 3.0	EC000830
ETIM 4.0	EC001134
ETIM 5.0	EC001134

Coupling - VS-MP-PPC/PPC-PO - 1403684

Classifications

UNSPSC

UNSPSC 6.01	26121616
UNSPSC 7.0901	26121616
UNSPSC 11	26121604
UNSPSC 12.01	31261501
UNSPSC 13.2	26121616

Approvals

Approvals

Approvals

EAC

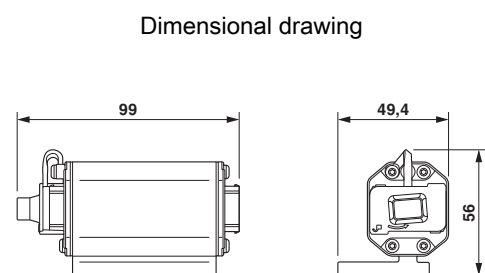
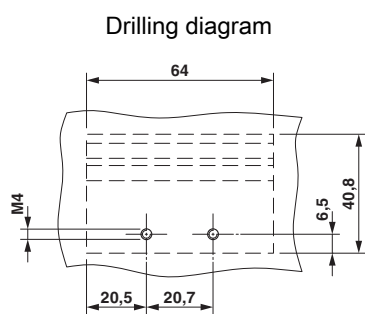
Ex Approvals

Approvals submitted

Approval details

EAC

Drawings



Phoenix Contact 2016 © - all rights reserved
<http://www.phoenixcontact.com>

PHOENIX CONTACT GmbH & Co. KG
Flachmarktstr. 8
32825 Blomberg
Germany
Tel. +49 5235 300
Fax +49 5235 3 41200
<http://www.phoenixcontact.com>



Below is a list of articles with direct links to our shop Electric Automation Network where you can see:

- Quote per purchase volume in real time.
- Online documentation and datasheets of all products.
- Estimated delivery time enquiry in real time.
- Logistics systems for the shipment of materials almost anywhere in the world.
- Purchasing management, order record and tracking of shipments.

To access the product, [click on the green button](#).

Product	Code	Reference	Product link
Multi-port power coupling: for passive PROFINET cabling to robots, including mounting foot.	1403684	VS-MP-PPC/ PPC-PO	Buy on EAN