



Automatización Eléctrica
Especialistas en Automatización

At the end of this document you will find links to products related to this catalog. You can go directly to our shop by clicking [HERE](#). [HERE](#)

Ferrule - AI 1 - 8 RD-GB - 1208982

Please be informed that the data shown in this PDF Document is generated from our Online Catalog. Please find the complete data in the user's documentation. Our General Terms of Use for Downloads are valid (<http://phoenixcontact.com/download>)




Ferrule, Sleeve length: 8 mm, Length: 14 mm, Color: red

Why buy this product

- Due to the increased diameter of the insulating collar, this type of ferrule is specifically used with AWG cables
- These ferrules enable practical crimping of conductors with increased insulation

Key Commercial Data

Packing unit	500 STK
Minimum order quantity	500 STK
GTIN	 4 046356 130400

Technical data

Dimensions

Length (b)	14 mm
Maximum stripping length	11 mm
Sleeve length	8 mm
Inner dimension of the insulating collar (d)	3.4 mm
Ferrule diameter	1.5 mm
Insulating collar thickness	0.3 mm
Sleeve wall thickness	0.15 mm

Ambient conditions

Short-term temperature	120 °C
Max. permanent temperature	105 °C

General

Color	red
Components	free from silicone and halogen
Flammability rating according to UL 94	HB
Material	E-CU
Coating	tin-plated (galvanic)

Ferrule - AI 1 - 8 RD-GB - 1208982

Technical data

Standards and Regulations

Connection in acc. with standard	CSA
Flammability rating according to UL 94	HB

Classifications

eCl@ss

eCl@ss 4.0	27060701
eCl@ss 4.1	27060701
eCl@ss 5.0	27400201
eCl@ss 5.1	27400201
eCl@ss 6.0	27400201
eCl@ss 7.0	27400201
eCl@ss 8.0	27400201

ETIM

ETIM 3.0	EC000005
ETIM 4.0	EC000005
ETIM 5.0	EC000005

UNSPSC

UNSPSC 6.01	30212109
UNSPSC 7.0901	27121703
UNSPSC 11	27121703
UNSPSC 12.01	27121703
UNSPSC 13.2	27121703

Approvals

Approvals

Approvals

CSA / CSAus / EAC / EAC / cCSAus

Ex Approvals

Approvals submitted

Approval details

Ferrule - AI 1 - 8 RD-GB - 1208982

Approvals

CSA

CSAus

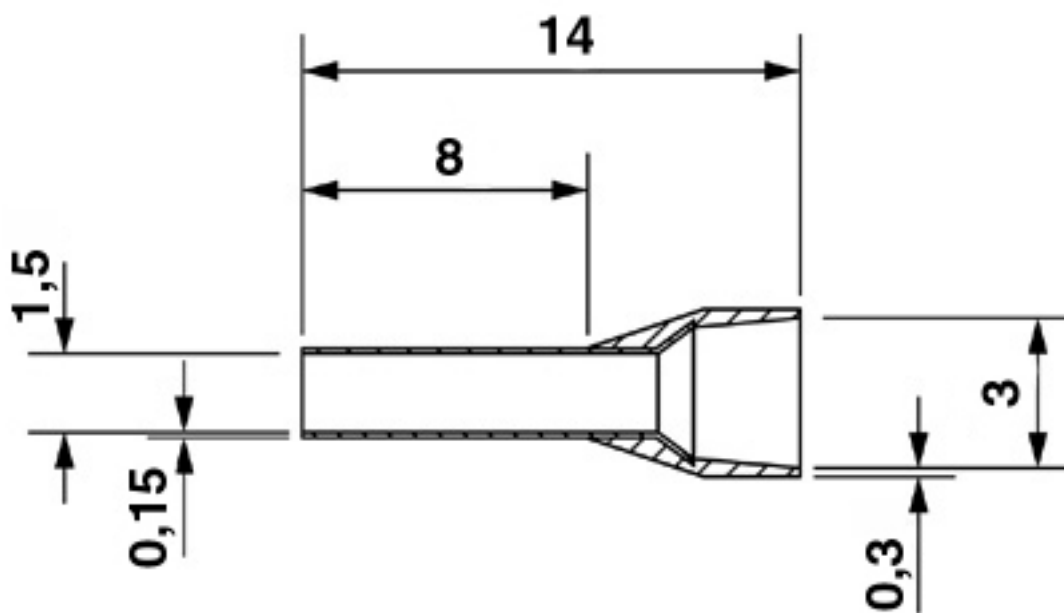
EAC

EAC

cCSAus

Drawings

Dimensional drawing





Below is a list of articles with direct links to our shop Electric Automation Network where you can see:

- Quote per purchase volume in real time.
- Online documentation and datasheets of all products.
- Estimated delivery time enquiry in real time.
- Logistics systems for the shipment of materials almost anywhere in the world.
- Purchasing management, order record and tracking of shipments.

To access the product, [click on the green button](#).

Product	Code	Reference	Product link
Ferrule, Sleeve length: 8 mm, Length: 14 mm, Color: red	1208982	AI 1 - 8 RD-GB	Buy on EAN