



**Automatización Eléctrica**  
Especialistas en Automatización

At the end of this document you will find links to products related to this catalog. You can go directly to our shop by clicking [HERE](#). [HERE](#)

## DIN rail perforated - NS 35/ 7,5 ZN PERF 2000MM - 1206421

Please be informed that the data shown in this PDF Document is generated from our Online Catalog. Please find the complete data in the user's documentation. Our General Terms of Use for Downloads are valid (<http://phoenixcontact.com/download>)



DIN rail, material: Galvanized, perforated, height 7.5 mm, width 35 mm, length: 2 m

### Why buy this product

- If you require greater quantities, the same article is available in a unit pack of 25 pcs. (50 m)

### Key Commercial Data

Packing unit	5 STK
GTIN	 4 017918 170868

### Technical data

#### Dimensions

Height	7.5 mm
Length	2000 mm
Width	35 mm

#### General

Material	Steel
Coating	Galvanized
Color	silver
Test standard	In acc. with EN 60715: 2001
Nominal current $I_N$	1920 A

#### Standards and Regulations

Test standard	In acc. with EN 60715: 2001
Connection in acc. with standard	IEC / EN

### Classifications

#### eCl@ss

eCl@ss 4.0	27110804
eCl@ss 4.1	27110804
eCl@ss 5.0	27141143

## DIN rail perforated - NS 35/ 7,5 ZN PERF 2000MM - 1206421

### Classifications

#### eCl@ss

eCl@ss 5.1	27141143
eCl@ss 6.0	27400602
eCl@ss 7.0	27400602
eCl@ss 8.0	27400602
eCl@ss 9.0	27400602

#### ETIM

ETIM 2.0	EC001285
ETIM 3.0	EC001285
ETIM 4.0	EC000212
ETIM 5.0	EC000212

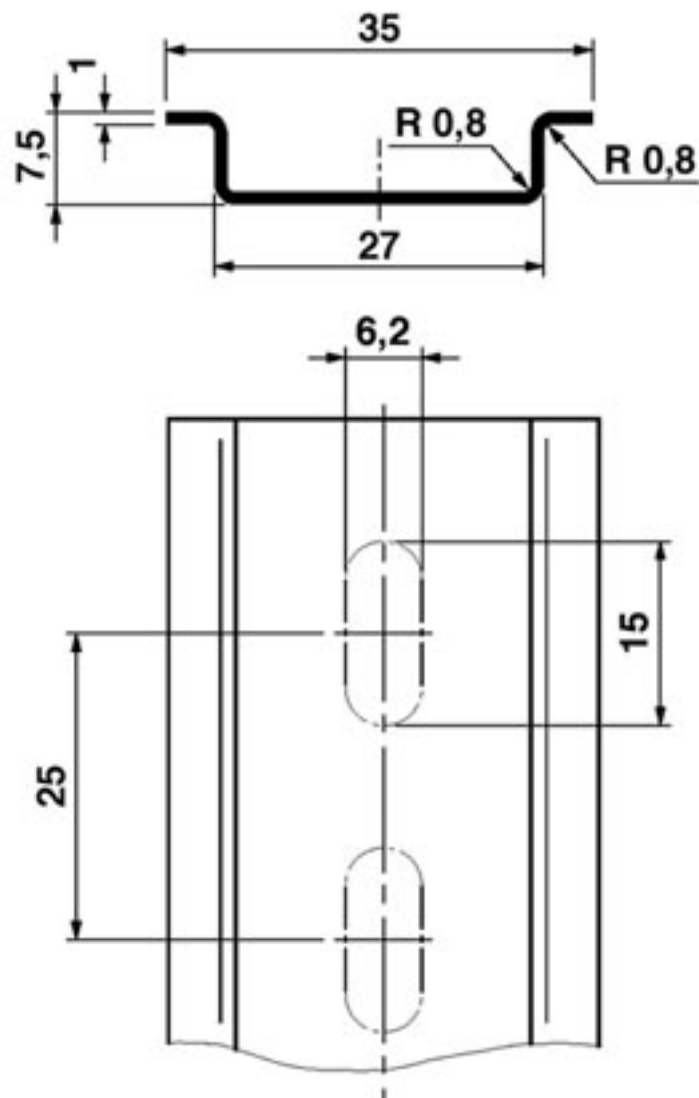
#### UNSPSC

UNSPSC 6.01	30212109
UNSPSC 7.0901	39121708
UNSPSC 11	39121708
UNSPSC 12.01	39121708
UNSPSC 13.2	39121708

### Drawings

## DIN rail perforated - NS 35/ 7,5 ZN PERF 2000MM - 1206421

Dimensional drawing



Phoenix Contact 2016 © - all rights reserved  
<http://www.phoenixcontact.com>

PHOENIX CONTACT GmbH & Co. KG  
Flachsmarktstr. 8  
32825 Blomberg  
Germany  
Tel. +49 5235 300  
Fax +49 5235 3 41200  
<http://www.phoenixcontact.com>

Below is a list of articles with direct links to our shop Electric Automation Network where you can see:

- Quote per purchase volume in real time.
- Online documentation and datasheets of all products.
- Estimated delivery time enquiry in real time.
- Logistics systems for the shipment of materials almost anywhere in the world.
- Purchasing management, order record and tracking of shipments.

To access the product, [click on the green button.](#)

<b>Product</b>	<b>Code</b>	<b>Reference</b>	<b>Product link</b>
DIN rail, material: Galvanized, perforated, height 7.5 mm, width 35 mm, length: 2 m	1206421	NS 35/ 7,5 ZN PERF 2000MM	<a href="#">Buy on EAN</a>