



Automatización Eléctrica
Especialistas en Automatización

At the end of this document you will find links to products related to this catalog. You can go directly to our shop by clicking [HERE](#). [HERE](#)

Support bracket - AB/NS - 1201141

Please be informed that the data shown in this PDF Document is generated from our Online Catalog. Please find the complete data in the user's documentation. Our General Terms of Use for Downloads are valid (<http://phoenixcontact.com/download>)



Support bracket, for insulated mounting of DIN rails in insulated systems, plastic, 21 mm high

Why buy this product

- The support can be used for fully insulated DIN rail support bracket

Key Commercial Data

| | |
|------------------------|---------------------|
| Packing unit | 10 STK |
| Minimum order quantity | 10 STK |
| GTIN | 4 017918 017248 |

Technical data

Dimensions

| | |
|------------|-------|
| Length (b) | 35 mm |
| Width (a) | 38 mm |
| Height | 21 mm |

General

| | |
|--|----------|
| Color | gray |
| Flammability rating according to UL 94 | V2 |
| Material | PA |
| Coating | uncoated |

Standards and Regulations

| | |
|--|----|
| Flammability rating according to UL 94 | V2 |
|--|----|

Classifications

eCl@ss

| | |
|------------|----------|
| eCl@ss 4.0 | 23150301 |
| eCl@ss 4.1 | 23150301 |
| eCl@ss 5.0 | 27141143 |
| eCl@ss 5.1 | 27141143 |

Support bracket - AB/NS - 1201141

Classifications

eCl@ss

| | |
|------------|----------|
| eCl@ss 6.0 | 27400607 |
| eCl@ss 7.0 | 27400607 |
| eCl@ss 8.0 | 27409221 |

ETIM

| | |
|----------|----------|
| ETIM 2.0 | EC000761 |
| ETIM 3.0 | EC000761 |
| ETIM 4.0 | EC002270 |
| ETIM 5.0 | EC001024 |

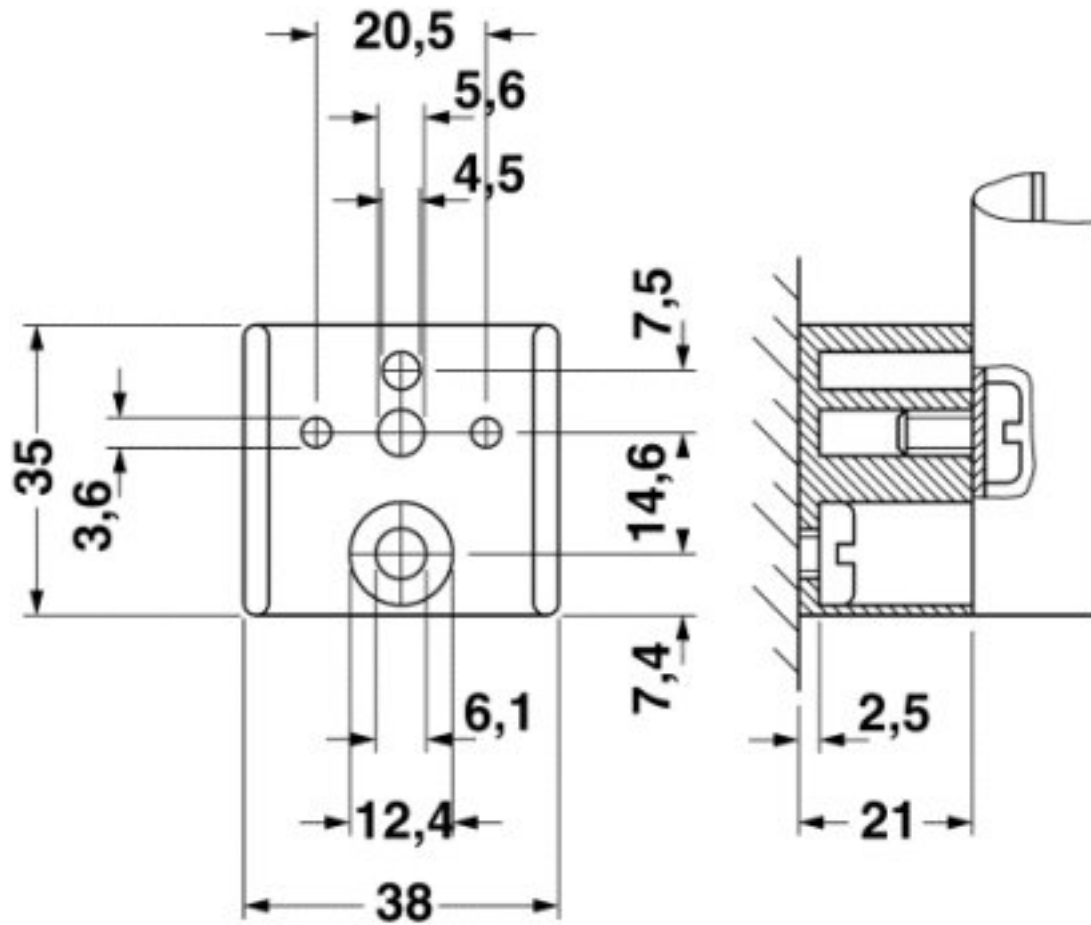
UNSPSC

| | |
|---------------|----------|
| UNSPSC 6.01 | 30212109 |
| UNSPSC 7.0901 | 39121708 |
| UNSPSC 11 | 39121708 |
| UNSPSC 12.01 | 39121708 |
| UNSPSC 13.2 | 39121708 |

Drawings

Support bracket - AB/NS - 1201141

Dimensional drawing



Phoenix Contact 2016 © - all rights reserved
<http://www.phoenixcontact.com>

PHOENIX CONTACT GmbH & Co. KG
Flachsmarktstr. 8
32825 Blomberg
Germany
Tel. +49 5235 300
Fax +49 5235 3 41200
<http://www.phoenixcontact.com>



Automatización Eléctrica
Especialistas en Automatización

Below is a list of articles with direct links to our shop Electric Automation Network where you can see:

- Quote per purchase volume in real time.
- Online documentation and datasheets of all products.
- Estimated delivery time enquiry in real time.
- Logistics systems for the shipment of materials almost anywhere in the world.
- Purchasing management, order record and tracking of shipments.

To access the product, [click on the green button.](#)

| Product | Code | Reference | Product link |
|--|-------------|------------------|----------------------------|
| Support bracket, for insulated mounting of DIN rails in insulated systems, plastic, 21 mm high | 1201141 | AB/NS | Buy on EAN |