



Automatización Eléctrica
Especialistas en Automatización

At the end of this document you will find links to products related to this catalog. You can go directly to our shop by clicking HERE. [HERE](#)

DIN rail perforated - NS 35/ 7,5 PERF 2000MM - 0801733

Please be informed that the data shown in this PDF Document is generated from our Online Catalog. Please find the complete data in the user's documentation. Our General Terms of Use for Downloads are valid (<http://phoenixcontact.com/download>)



DIN rail, material: steel galvanized and passivated with a thick layer, perforated, height 7.5 mm, width 35 mm, length: 2000 mm

Why buy this product

- If you require greater quantities, the same article is available in a unit pack of 25 pcs. (50 m)

Key Commercial Data

Packing unit	5 STK
GTIN	 4 017918 006686

Technical data

Dimensions

Height	7.5 mm
Length	2000 mm
Width	35 mm

General

Material	Steel
Coating	Galvanized, passivated with a thick layer
Color	silver
Test standard	In acc. with EN 60715: 2001
Nominal current I _N	1920 A

Standards and Regulations

Test standard	In acc. with EN 60715: 2001
Connection in acc. with standard	IEC / EN

Classifications

eCl@ss

eCl@ss 4.0	27110804
eCl@ss 4.1	27110804
eCl@ss 5.0	27141143

DIN rail perforated - NS 35/ 7,5 PERF 2000MM - 0801733

Classifications

eCl@ss

eCl@ss 5.1	27141143
eCl@ss 6.0	27400602
eCl@ss 7.0	27400602
eCl@ss 8.0	27400602
eCl@ss 9.0	27400602

ETIM

ETIM 2.0	EC001285
ETIM 3.0	EC001285
ETIM 4.0	EC000212
ETIM 5.0	EC000212

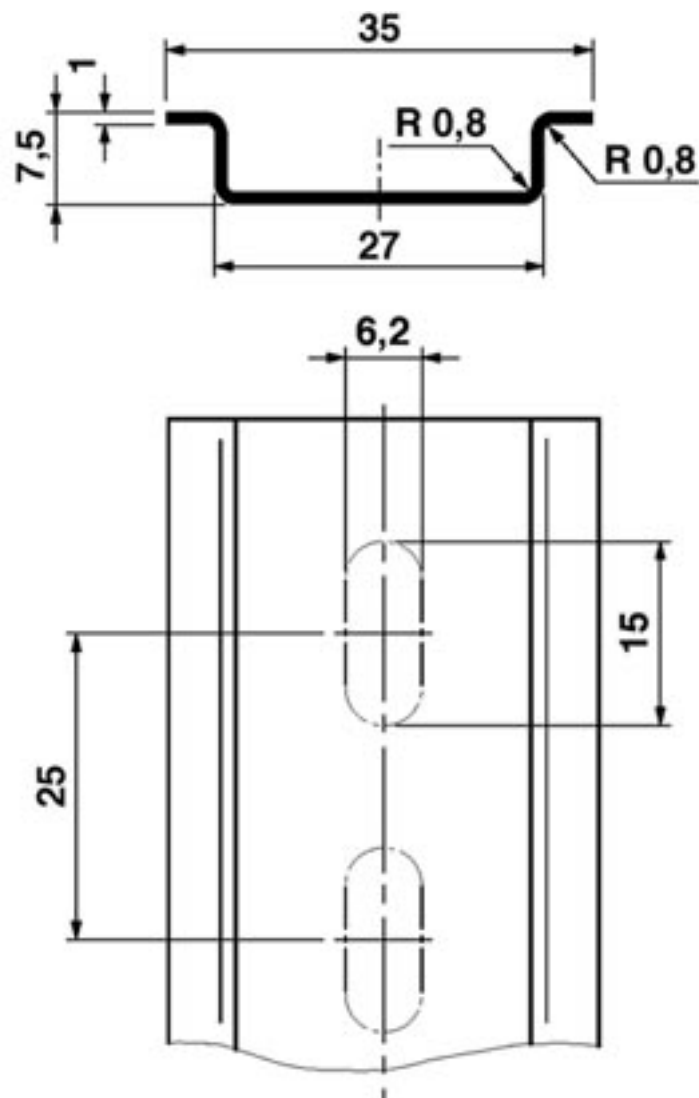
UNSPSC

UNSPSC 6.01	30212109
UNSPSC 7.0901	39121708
UNSPSC 11	39121708
UNSPSC 12.01	39121708
UNSPSC 13.2	39121708

Drawings

DIN rail perforated - NS 35/ 7,5 PERF 2000MM - 0801733

Dimensional drawing



Phoenix Contact 2016 © - all rights reserved
<http://www.phoenixcontact.com>

PHOENIX CONTACT GmbH & Co. KG
Flachsmarktstr. 8
32825 Blomberg
Germany
Tel. +49 5235 300
Fax +49 5235 3 41200
<http://www.phoenixcontact.com>



Below is a list of articles with direct links to our shop Electric Automation Network where you can see:

- Quote per purchase volume in real time.
- Online documentation and datasheets of all products.
- Estimated delivery time enquiry in real time.
- Logistics systems for the shipment of materials almost anywhere in the world.
- Purchasing management, order record and tracking of shipments.

To access the product, [click on the green button.](#)

Product	Code	Reference	Product link
DIN rail, material: steel galvanized and passivated with a thick layer, perforated, height 7.5 mm, width 35 mm, length: 2000 mm	0801733	NS 35/ 7,5 PERF 2000MM	Buy on EAN