

The OMRON logo is displayed in a bold, blue, sans-serif font. The letters are thick and rounded, with the 'O' being a simple circle. The entire logo is set against a light yellow rectangular background.

**Automatización Eléctrica**  
Especialistas en Automatización

At the end of this document you will find links to products related to this catalog. You can go directly to our shop by clicking [HERE](#). [HERE](#)

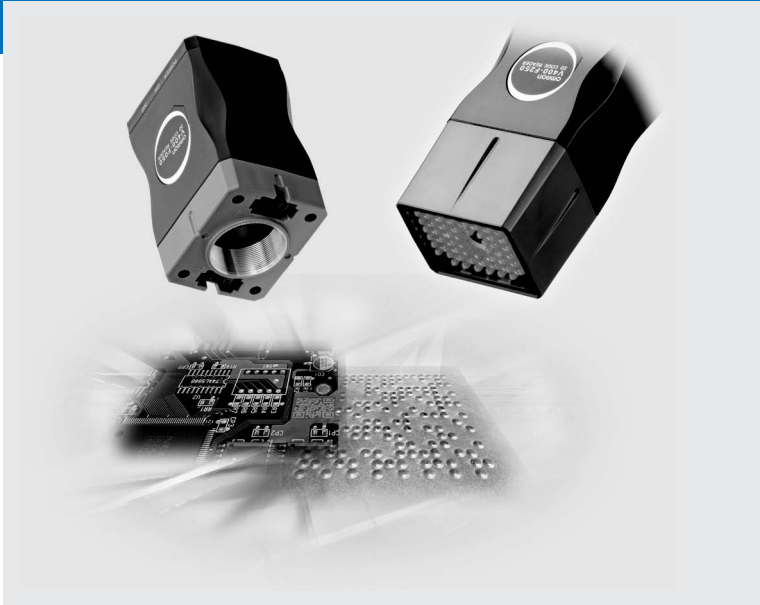
Fixed 2D Code Reader

# V400-F

## One step to read the Code



The V400-F achieves highest 2D Code reading performance on challenging materials and environmental conditions. In combination with the easy and intuitive usage, the V400-F makes the difference. Pressing the teach button once is sufficient, to automatically adjust the settings for light and filter. This enables V400-F to read any Code correctly, independent of the quality or changing environment. V400-F is a compact system, which is available with integrated lense and lighting or as C-Mount variant.

- Easy adjustment of parameters
- Accurate reading of Codes
- Direct print marks on any material
- Eliminate the effects of print quality and work piece changes



## Ordering Information

### 2D Code Readers

Name	Model	Field of vision
Special Lighting Lens 	V400-F250	14 x 18 mm
	V400-F350	31 x 42 mm
C-Mount 	V400-F050	Changes according to the lens

### Accessories (Order Separately) and Cables

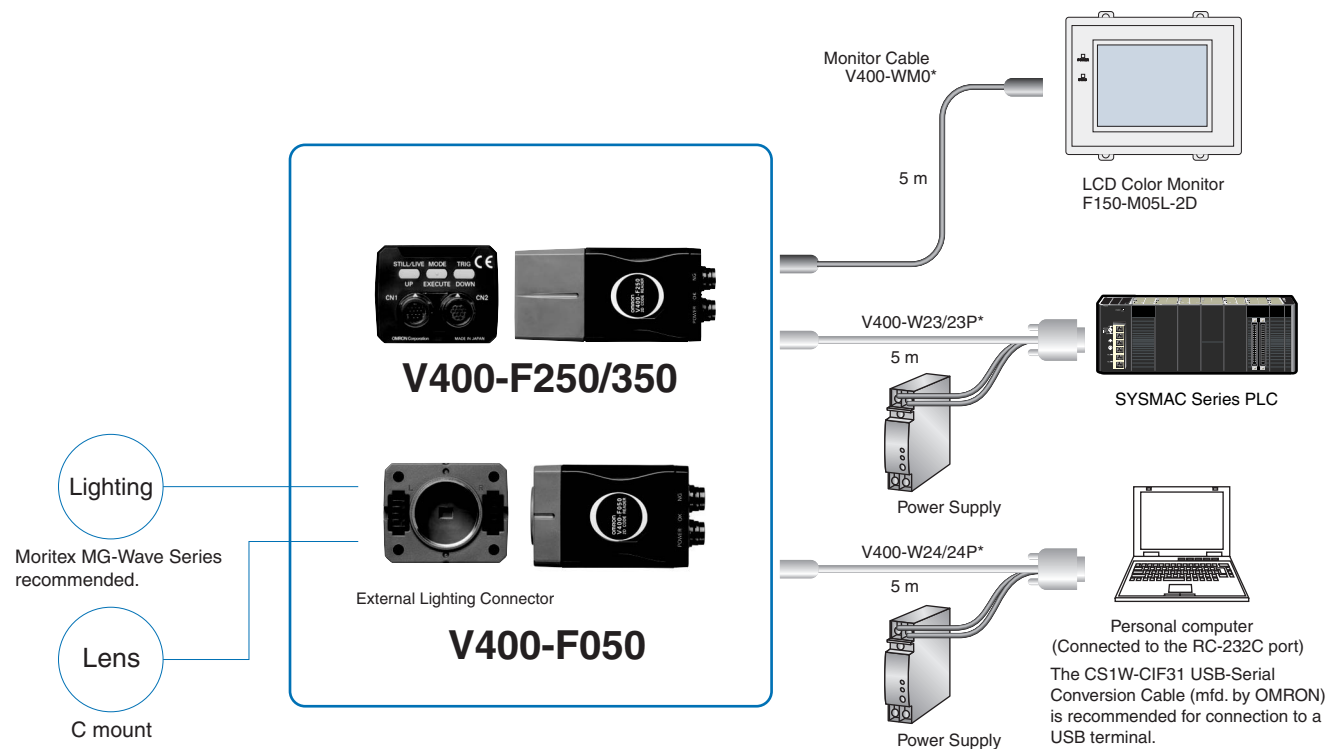
Name	Model	Cable length	Remarks
Communications Cable	V400-W23 (NPN)	5 m	For connection to SYSMAC Series PLC (includes power line)
	V400-W23P (PNP)		
	V400-W24 (NPN)		For connection to an IBM PC/AT or compatible (includes power line)
	V400-W24P (PNP)		
Monitor Cable	V400-WM0		

### Monitor

Name	Model
LCD Monitor	F150-M05L-2D <sup>*1</sup>

\*1. There is no need for an external power supply when this Monitor is used. (Power is supplied from the V400-F.)

## System Configuration



Recommended power supply: OMRON S8VS-03024

\*Use only the specified cable.

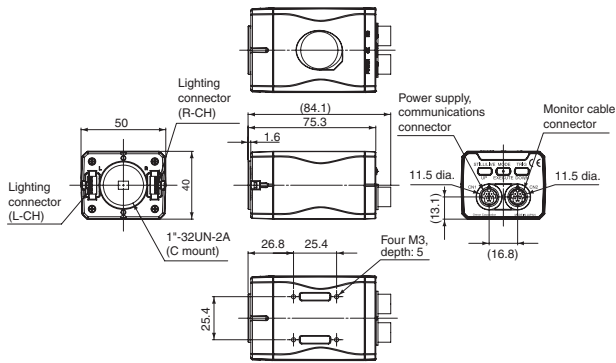
## Specifications

Model	V400-F050	V400-F250	V400-F350
Dimensions	40 x 50 x 75.3 mm	40 x 50 x 97.1 mm	
Working distance (WD)	Depends on the lens.	Approx. 100 mm	Approx. 200 mm
Field of vision	Depends on the lens.	Approx. 14 x 18 mm	Approx. 31 x 42 mm
Lighting	Up to two can be directly powered.	Red LED	
Image sensor	1/3" CCD		
Effective pixels	640 x 480 pixels		
Power supply voltage	24 VDC ±10%		
Power consumption	0.5 A max.		
Insulation resistance	20 MΩ min.		
Withstand voltage	1,000 VAC for 1 min		
Leakage current	0.25 mA max.		
Noise resistance	Power line: 2 kVp-p, Pulse width: 50 ns, Rise time: 5 ns, Consecutive burst time: 15 ms, Cycle: 300 ms		
Applicable standards	CE: EN 61326:1997, +A1:1998, +A2:2001 (EMI: Class A)		
Vibration resistance	10 to 150 Hz, 0.35-mm half-amplitude (maximum acceleration: 50 m/s <sup>2</sup> ) 10 times for 8 minutes each in 3 directions		
Shock resistance	150 m/s <sup>2</sup> 3 times each in 6 directions		
Ambient humidity	Operating: 0 to 45°C, Storage: -25 to 65°C		
Ambient temperature	Operating/storage: 25% to 85% (with no icing or condensation)		
Ambient environment	No corrosive gasses		
Degree of protection	None	IEC 60529 IP67	
Weight	Approx. 130 g	Approx. 150 g	

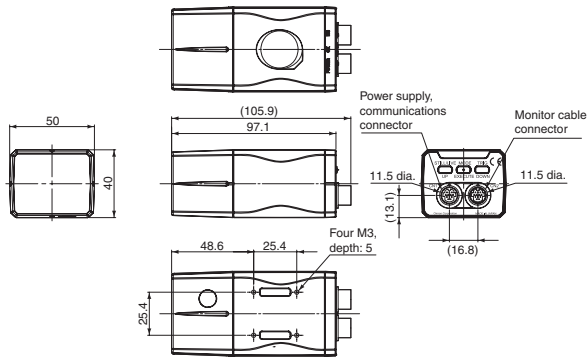
## Dimensions

### 2D Code Readers

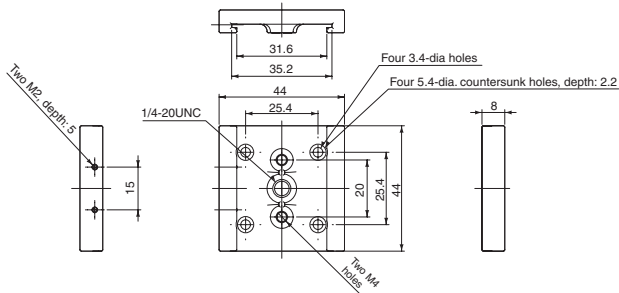
#### V400-F050



#### V400-F250/350

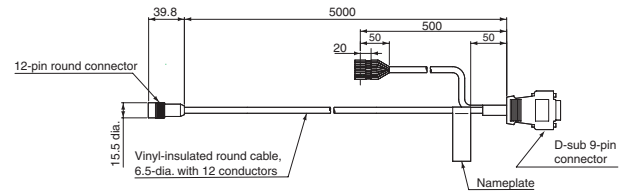


### Mounting Base

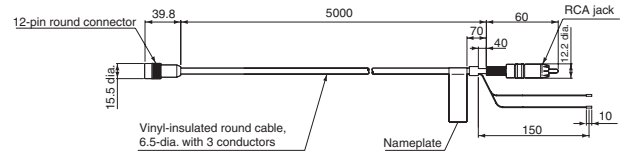


### Communication Cable and Monitor Cable

#### V400-W23/23P/24/24P

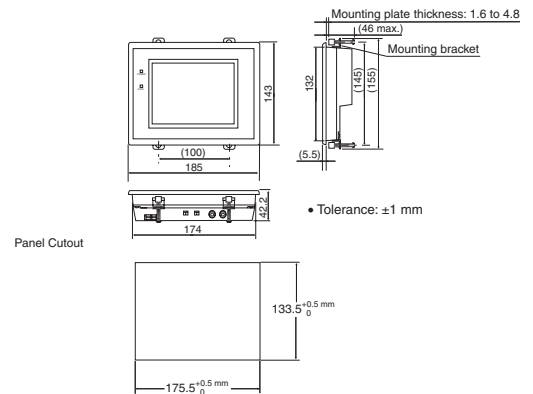


#### V400-WM0



### LCD Monitor

#### F150-M05L-2D



ALL DIMENSIONS SHOWN ARE IN MILLIMETERS.

To convert millimeters into inches, multiply by 0.03937. To convert grams into ounces, multiply by 0.03527.



**Automatización Eléctrica**  
Especialistas en Automatización

Below is a list of articles with direct links to our shop Electric Automation Network where you can see:

- Quote per purchase volume in real time.
- Online documentation and datasheets of all products.
- Estimated delivery time enquiry in real time.
- Logistics systems for the shipment of materials almost anywhere in the world.
- Purchasing management, order record and tracking of shipments.

To access the product, [click on the green button.](#)

Product	Code	Reference	Product link
	131606		<a href="#">Buy on EAN</a>