



**Automatización Eléctrica**

Especialistas en Automatización

At the end of this document you will find links to products related to this catalog. You can go directly to our shop by clicking HERE. [HERE](#)

# Beam clamps for screwing in

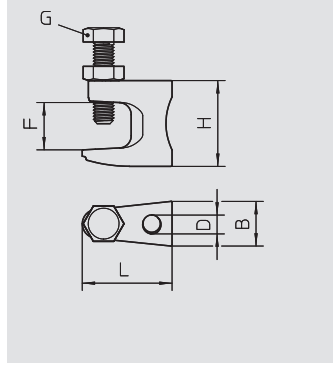


## Screw-in beam clamp, with gland hole

Type	Dimension H mm	Dimension B mm	Dimension L mm	Dimension G mm	Dimension D mm	Breaking load kN	Flange thickness mm	Pack. pcs	Weight kg/100 pcs.	Item No.
<b>FL 1 TG</b>	35	19	38	M8	9	1.2	0-18	50	8.500	<b>1488 01 5</b>
<b>FL 2 TG</b>	42	21	44	M10	11	2.5	0-20	50	14.000	<b>1488 02 3</b>
<b>FL 3 TG</b>	54	23.5	58	M10	13	3.5	0-26	25	18.000	<b>1488 03 1</b>

**TG** Cast iron  
With gland hole.

/100 pc.

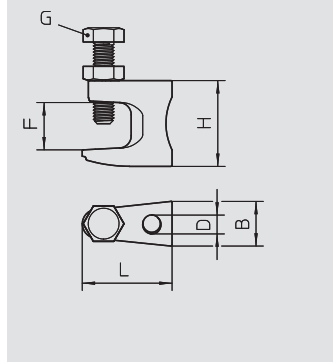


## Screw-in beam clamp, with thread

Type	Dimension H mm	Dimension B mm	Dimension L mm	Dimension G mm	For threaded rod	Breaking load kN	Flange thickness mm	Pack. pcs	Weight kg/100 pcs.	Item No.
<b>FL1-G M8 TG</b>	35	19	38	M8	M8	1.2	0-18	50	8.500	<b>1488 07 4</b>
<b>FL2-G M10 TG</b>	42	21	44	M10	M10	2.5	0-20	50	14.000	<b>1488 08 2</b>
<b>FL3-G M12 TG</b>	54	23.5	58	M10	M12	3.5	0-26	25	18.000	<b>1488 09 0</b>

**TG** Cast iron  
With thread.

/100 pc.



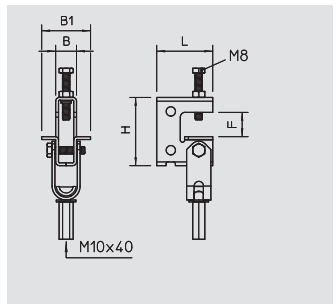
## Screw-in beam clamp, with hinge

Type	Flange thickness mm	For threaded rod	Breaking load kN	Pack. pcs	Weight kg/100 pcs.	Item No.
<b>TK FL G</b>	0-24	M10	0.9-2.8	10	34.000	<b>1488 11 1</b>

**St** Steel      **ZD** Galvanised, Deltatone 500

Two-hinge beam clamp for fastening on beams without welding and drilling. The maximum load is dependent on the load direction.

/100 pc.



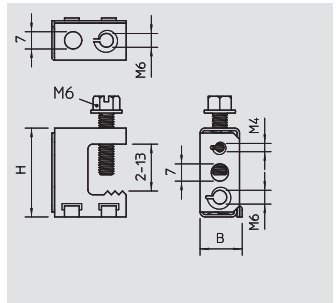
## Screw-in beam clamp, universal

Type	Breaking load kN	Dimension B mm	Dimension H mm	Flange thickness mm	Pack. pcs	Weight kg/100 pcs.	Item No.
<b>TK 213</b>	1.35	15.8	35	2-13	100	2.720	<b>1484 70 2</b>

**St** Steel      **ZD** Galvanised, Deltatone 500

Various fastening options (horizontal and vertical).

/100 pc.



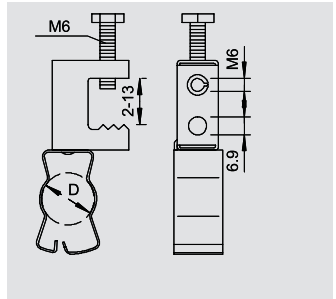
## Screw-in beam clamp, for pipes

Type	Clamping range D mm	Breaking load kN	Flange thickness mm	Pack. pcs	Weight kg/100 pcs.	Item No.
<b>TKS 213-25</b>	18-25	0.45	2-13	50	3.990	<b>1484 81 8</b>
<b>TKS 213-32</b>	28-32	0.45	2-13	50	4.170	<b>1484 82 6</b>
<b>TKS 213-37</b>	35-37	0.45	2-13	50	6.300	<b>1484 83 4</b>
<b>TKS 213-42</b>	37-42	0.45	2-13	50	7.300	<b>1484 84 2</b>

**St** Steel      **ZD** Galvanised, Deltatone 500

With rotating clip to accept pipes and cables, lockable.

/100 pc.





Below is a list of articles with direct links to our shop Electric Automation Network where you can see:

- Quote per purchase volume in real time.
- Online documentation and datasheets of all products.
- Estimated delivery time enquiry in real time.
- Logistics systems for the shipment of materials almost anywhere in the world.
- Purchasing management, order record and tracking of shipments.

To access the product, [click on the green button](#).

Product	Code	Reference	Product link
Carrier screw clamp , 2-13mm, Galvanised, Deltatone 500, Steel, St	1484702	TK 213	<a href="#">Buy on EAN</a>
Carrier screw clamp with pipe mount 18¿25 mm, 2-13mm, Galvanised, Deltatone 500, Steel, St	1484818	TKS 213-25	<a href="#">Buy on EAN</a>
Carrier screw clamp with pipe mount 28¿32 mm, 2-13mm, Galvanised, Deltatone 500, Steel, St	1484826	TKS 213-32	<a href="#">Buy on EAN</a>
Carrier screw clamp with pipe mount 35¿37 mm, 2-13mm, Galvanised, Deltatone 500, Steel, St	1484834	TKS 213-37	<a href="#">Buy on EAN</a>
Carrier screw clamp with pipe mount 37¿42 mm, 2-13mm, Galvanised, Deltatone 500, Steel, St	1484842	TKS 213-42	<a href="#">Buy on EAN</a>
Carrier screw clamp with fastening hole, 0-17mm, Cast iron, TG	1488015	FL 1 TG	<a href="#">Buy on EAN</a>
Carrier screw clamp with fastening hole, 0-19mm, Cast iron, TG	1488023	FL 2 TG	<a href="#">Buy on EAN</a>
Carrier screw clamp with fastening hole, 0-26mm, Cast iron, TG	1488031	FL 3 TG	<a href="#">Buy on EAN</a>
Carrier screw clamp with female thread M8, 0-17mm, Cast iron, TG	1488074	FL1-G M8 TG	<a href="#">Buy on EAN</a>
Carrier screw clamp with female thread M10, 0-19mm, Cast iron, TG	1488082	FL2-G M10 TG	<a href="#">Buy on EAN</a>
Carrier screw clamp with female thread M12, 0-26mm, Cast iron, TG	1488090	FL3-G M12 TG	<a href="#">Buy on EAN</a>
Hinged support bracket Model "E", 0-24mm, Galvanised, Deltatone 500, Steel, St	1488111	TK FL G	<a href="#">Buy on EAN</a>