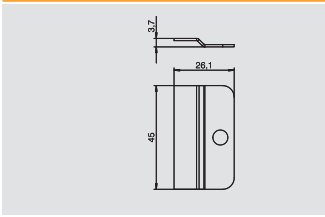




Automatización Eléctrica

Especialistas en Automatización

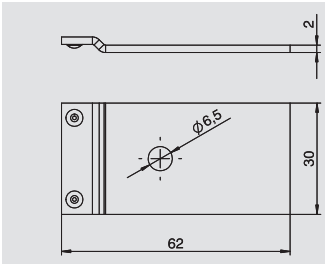
At the end of this document you will find links to products related to this catalog. You can go directly to our shop by clicking HERE. [HERE](#)



Duct fastening strap

Type	Pack.	Weight	Item No.
	pcs	kg/100 pcs.	
BL1	20	0.800	7428 50 0

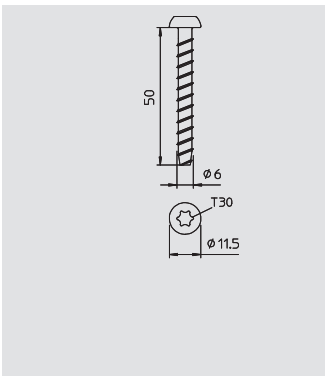
St Steel **FS** Strip-galvanised /pc.
Fixing bracket for underfloor screed-covered ducts.



Duct connection bracket (conductive)

Type	Pack.	Weight	Item No.
	pcs	kg/100 pcs.	
VWE	20	23.250	7400 98 0

St Steel **FS** Strip-galvanised /pc.
Connection brackets for the conductive connection between screed-covered ducts and under-floor boxes UZD and UGD.

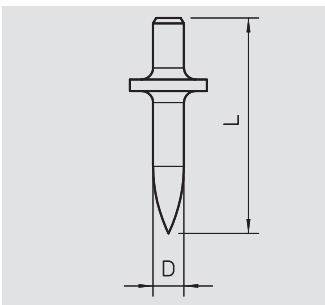


Bolt tie

Type	Dimension	Anchor length	Bore hole Ø	Pack.	Weight	Item No.
	mm	mm	mm	pcs	kg/100 pcs.	
MMS6X50	6 x 50	50	5	100	0.960	3498 10 7

St Steel **GC** Electrogalvanised, yellow-chromated /100 pc.
Fire protection bolt tie with pan head for direct installation without additional anchors. Drive T30, drill hole 5 mm. Fire protection tested according to DIN 4102 for concrete and masonry. Fire resistance class to F90.

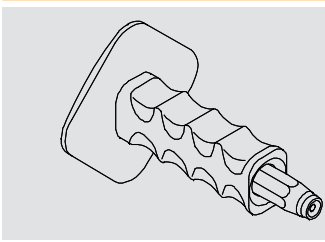
Substrate
The bolt ties are suitable for screwing into the following types of masonry:
- Calcareous sandstone - Full brick (KSV)
- Calcareous sandstone - Hollow brick (KSL)
- Whole brick (Vz)



OBO anchors

Type	Shank length	Flange-Ø	Shipping box	Pack.	Weight	Item No.
	mm	mm	pcs	pcs	kg/100 pcs.	
903 RB 15	15	10	6000	200	0.300	3105 01 6
903 RB 18	18	10	4000	200	0.350	3105 02 4
903 RB 22	22	10	4000	200	0.330	3105 03 2

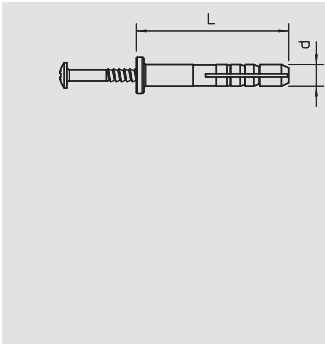
St Steel /100 pc.
Hardened steel, shiny without thread.



Flattener with hand protection

Type	Shipping box	Pack.	Weight	Item No.
	pcs	pcs	kg/100 pcs.	
915 RBS M4	12	1	50.000	3031 50 0

St Steel /pc.
Flattener with hand protection for OBO anchors 903/RB Ø 4 mm and also for OBO anchors 904 with M4 thread.



OBO knock-in anchors

Type	Dowel Ø	Length	Pull-out force	Shipping box	Pack.	Weight	Item No.
	mm	mm	N min/concrete	pcs	pcs	kg/100 pcs.	
910 SD 6X35	6	35	260	1200	100	0.310	2351 05 6
910 SD 6X40	6	40	260	1000	100	0.560	2351 06 4

PA Polyamide /100 pc.
Knock-in anchor: steel, electrogalvanised and transparently passivated.





Below is a list of articles with direct links to our shop Electric Automation Network where you can see:

- Quote per purchase volume in real time.
- Online documentation and datasheets of all products.
- Estimated delivery time enquiry in real time.
- Logistics systems for the shipment of materials almost anywhere in the world.
- Purchasing management, order record and tracking of shipments.

To access the product, [click on the green button](#).

Product	Code	Reference	Product link
Knock-in anchor , 6x35mm, Light grey, Polyamide, PA	2351056	910 SD 6X35	Buy on EAN
Knock-in anchor , 6x40mm, Light grey, Polyamide, PA	2351064	910 SD 6X40	Buy on EAN
OBO plug knock-in anchor,without thread, L15mm, Steel, St	3105016	903 RB 15	Buy on EAN
OBO plug knock-in anchor,without thread, L18mm, Steel, St	3105024	903 RB 18	Buy on EAN
OBO plug knock-in anchor,without thread, L22mm, Steel, St	3105032	903 RB 22	Buy on EAN
Fire protection screw tie panhead, T30 drive, 6x50mm, Electrogalvanised, DIN 50961, Steel, St	3498107	MMS6X50	Buy on EAN