

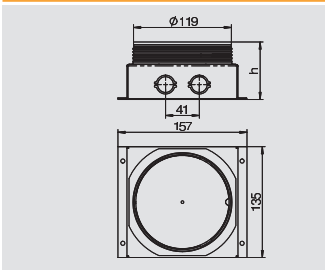


Automatización Eléctrica

Especialistas en Automatización

At the end of this document you will find links to products related to this catalog. You can go directly to our shop by clicking HERE. [HERE](#)

Complete GESRM2 service outlet, with protective contact socket

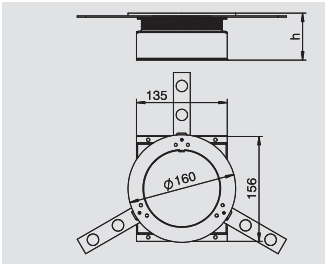
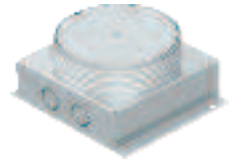


Underfloor outlet box for GESRM2 mounting

Type	Screed height	Pack.	Weight	Item No.
	mm	pcs	kg/100 pcs.	
UDL2-120 70	70-85	1	77.200	7408 55 8
UDL2-120 80	80-95	1	82.610	7408 56 2

St Steel **FS** Strip-galvanised /pc.

Underfloor outlet box for the installation of a GESRM2 service outlet. With 2 x 2 openings for M20 or Pg16 pipe installation.

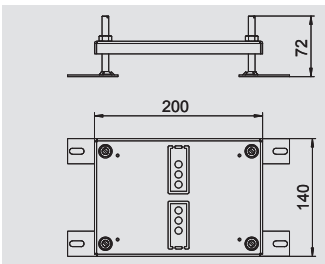


Underfloor outlet box, heavy-duty version, for GESRM2 mounting

Type	Dimension h	Screed height	Pack.	Weight	Item No.
	mm	mm	pcs	kg/100 pcs.	
UDL1-120 70 90SL	70	70-90	1	77.200	7408 55 4

St Steel **FS** Strip-galvanised /pc.

Underfloor outlet box for the installation of a service outlet GESRM2. Version for heavy-duty applications. With additional support ring and three screed anchors. Box body with 2 x 2 openings for pipe installation M20 or Pg16.

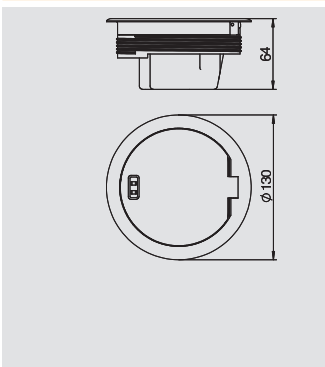


Height expansion for underfloor outlet socket UDL2-120

Type	Height-adjustment range	Pack.	Weight	Item No.
		pcs	kg/100 pcs.	
HE60 UDL2-120	10-60	1	78.300	7408 56 7

St Steel **FS** Strip-galvanised

Height-adjustable height expansion for underfloor outlet socket UDL2-120 and UDL1-120SL (up to 10 kN).

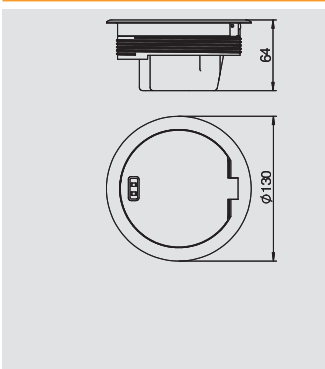


GESRM2 service outlet with protective frame for UZD/UDL, nickel-plated

Type	Surface finish	Material symbol	Pack.	Weight	Item No.
			pcs	kg/100 pcs.	
GESRM2 USB	Nickel-plated	Zn	1	80.230	7405 70 8

Zn Die-cast zinc **N** Nickel-plated /pc.

Round flush-mount unit with floor covering protection frame for direct installation in the connection socket UDL2-120. In conjunction with a blanking lid DUG.RM2, the flush-mount unit can also be installed in an underfloor draw and junction box of nominal size 190, 250 or 350. Flush-mount unit with a single power socket with a 33° insertion direction. At the side, next to the socket, there is space for an optional two connection sockets for data technology applications. When closed, the flush-mount unit can be wet-cleaned. The minimum installation depth is 70 mm. Nickel-plated surface.

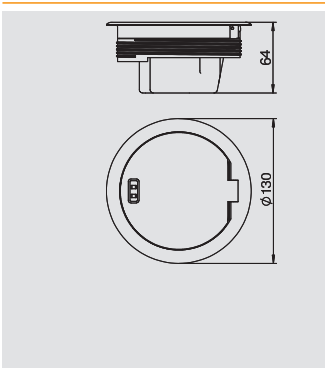


GESRM2 service outlet with protective frame for UZD/UDL, old brass

Type	Surface finish	Material symbol	Pack.	Weight	Item No.
			pcs	kg/100 pcs.	
GESRM2 USB	Brass-coated	Zn	1	80.200	7405 66 0

Zn Die-cast zinc **CuZn** Brass-coated /pc.

Round flush-mount unit with floor covering protection frame for direct installation in the connection socket UDL2-120. In conjunction with a blanking lid DUG.RM2, the flush-mount unit can also be installed in an underfloor draw and junction box of nominal size 190, 250 or 350. Flush-mount unit with a single power socket with a 33° insertion direction. At the side, next to the socket, there is space for an optional two connection sockets for data technology applications. When closed, the flush-mount unit can be wet-cleaned. The minimum installation depth is 70 mm. Old brass surface.



GESRM2 service outlet with protective frame for UZD/UDL, old copper

Type	Surface finish	Material symbol	Pack.	Weight	Item No.
			pcs	kg/100 pcs.	
GESRM2 USB	Copper-plated	Zn	1	80.200	7405 63 2

Zn Die-cast zinc **Cu** Copper-plated /pc.

Round flush-mount unit with floor covering protection frame for direct installation in the connection socket UDL2-120. In conjunction with a blanking lid DUG.RM2, the flush-mount unit can also be installed in an underfloor draw and junction box of nominal size 190, 250 or 350. Flush-mount unit with a single power socket with a 33° insertion direction. At the side, next to the socket, there is space for an optional two connection sockets for data technology applications. When closed, the flush-mount unit can be wet-cleaned. The minimum installation depth is 70 mm. Old copper surface.





Below is a list of articles with direct links to our shop Electric Automation Network where you can see:

- Quote per purchase volume in real time.
- Online documentation and datasheets of all products.
- Estimated delivery time enquiry in real time.
- Logistics systems for the shipment of materials almost anywhere in the world.
- Purchasing management, order record and tracking of shipments.

To access the product, [click on the green button](#).

Product	Code	Reference	Product link
Service outlet with prot. frame, old copper, Copper-plated, Die-cast zinc, Zn	7405632	GESRK2 USB	Buy on EAN
Service outlet with prot. frame, old brass, Brass-coated, Die-cast zinc, Zn	7405660	GESRMS2 USB	Buy on EAN
Service outlet with prot. frame, Ni-plated, Nickel-plated, Die-cast zinc, Zn	7405708	GESRN2 USB	Buy on EAN
Underfloor outlet box for GESRM2, 135x157x70, Strip-galvanised, DIN EN 10147, Steel, St	7408558	UDL2-120 70	Buy on EAN
Underfloor outlet box for GESRM2, 135x157x80, Strip-galvanised, DIN EN 10147, Steel, St	7408562	UDL2-120 80	Buy on EAN