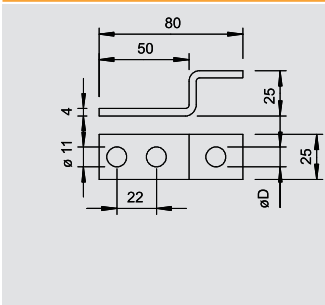




Automatización Eléctrica

Especialistas en Automatización

At the end of this document you will find links to products related to this catalog. You can go directly to our shop by clicking HERE. [HERE](#)



End piece

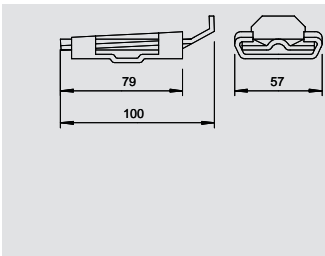
Type	Dimension D Ø mm	Pack. pcs	Weight kg/100 pcs.	Item No.
5011 VA M10	11	50	7.064	5334 93 4
5011 VA M12	13	50	7.048	5334 94 2



V4A Stainless steel, grade 316 Ti

/100 pc.

- For attaching to steel structures or bolting to earthing fixed points
- For attachments: round conductor Rd 8-10 and flat conductor FL 30 x 3.5
- 2 attaching holes Ø 11 mm
- 1 attaching holes Ø D mm



Wedge connector

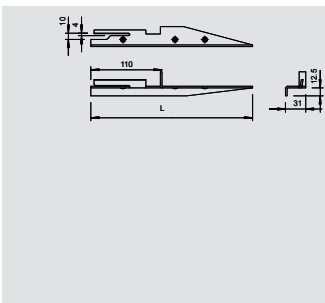
Type	Fit mm	Pack. pcs	Weight kg/100 pcs.	Item No.
1813 DIN	10/FL30 x FL30	5	20.000	5014 21 2



St Steel FT Hot-dip galvanised

/pc.

- DIN 48834, Form A
- Suitable for connecting Rd 10 x FL 30, FL 30 x FL 30
- Quick installation with high contact force



Spacer

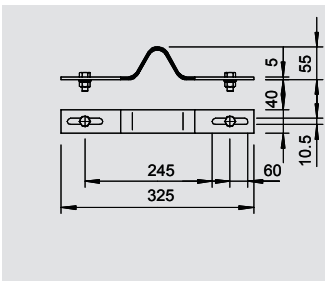
Type	Fit mm	Length mm	Pack. pcs	Weight kg/100 pcs.	Item No.
1811	10/FL30 x 3,5	250	25	19.000	5014 01 8
1811 L	10/FL30 x 3,5	400	25	31.500	5014 02 6



St Steel FT Hot-dip galvanised

/pc.

- For professional laying of round conductors and flat conductors according to DIN VDE 0185-305 (IEC 62305)
- DIN 48833
- Suitable for mounting round conductors Rd 10 or flat conductors FL 30 x 3.5



Expansion piece

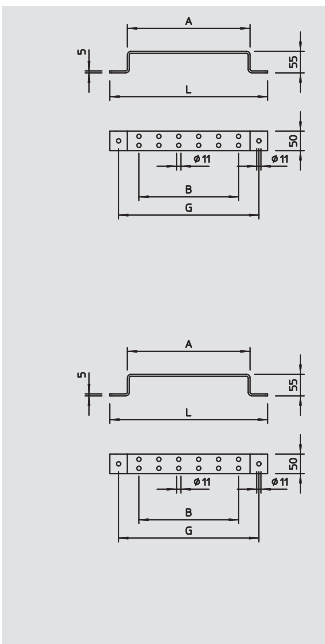
Type	Pack. pcs	Weight kg/100 pcs.	Item No.
1807	25	27.000	5016 14 2



Al Aluminium

/pc.

- For expansion joints when laying foundation earthers
- With 2 hexagonal bolts M10 x 30
- 2 hexagonal nuts M10, 2 steel washers, hot galvanised, and 2 rustproof steel serrated washers



Earthing connection block

Type	Dimension L mm	Dimension A mm	Dimension B mm	Dimension G mm	Pack. pcs	Weight kg/100 pcs.	Item No.
1805 2 FT	200	110	51	155	10	54.800	5016 02 9
1805 4 FT	302	212	153	257	20	77.000	5016 03 7
1805 6 FT	404	314	255	359	10	97.100	5016 04 5



St Steel FT Hot-dip galvanised

/pc.

- With 2 mounting holes Ø 11 mm
- 1805/2: With 4 attaching holes
- 1805/4: With 8 attaching holes
- 1805/6: With 12 attaching holes

Type	Dimension L mm	Dimension A mm	Dimension B mm	Dimension G mm	Pack. pcs	Weight kg/100 pcs.	Item No.
1805 2 VA	200	110	51	155	10	54.800	5016 09 6
1805 4 VA	302	212	153	257	20	77.000	5016 11 8
1805 6 VA	404	314	255	359	10	97.100	5016 12 6



V4A Stainless steel, grade 316 Ti

/pc.

1805/...: For connecting different earthing systems

- With 2 mounting holes Ø 11 mm
- 1805/2: With 4 attaching holes
- 1805/4: With 8 attaching holes
- 1805/6: With 12 attaching holes



Below is a list of articles with direct links to our shop Electric Automation Network where you can see:

- Quote per purchase volume in real time.
- Online documentation and datasheets of all products.
- Estimated delivery time enquiry in real time.
- Logistics systems for the shipment of materials almost anywhere in the world.
- Purchasing management, order record and tracking of shipments.

To access the product, [click on the green button](#).

Product	Code	Reference	Product link
Spacer , Hot-dip galvanised, DIN EN ISO 1461, Steel, St	5014018	1811	Buy on EAN
Spacer , 400mm, Hot-dip galvanised, DIN EN ISO 1461, Steel, St	5014026	1811 L	Buy on EAN
Wedge connector , Hot-dip galvanised, DIN EN ISO 1461, Steel, St	5014212	1813 DIN	Buy on EAN
Earth connection block for 2 connection cables, 50x5mm, Hot-dip galvanised, DIN EN ISO 1461, Steel, St	5016029	1805 2 FT	Buy on EAN
Earth connection block for 4 connection cables, 50x5mm, Hot-dip galvanised, DIN EN ISO 1461, Steel, St	5016037	1805 4 FT	Buy on EAN
Earth connection block for 6 connection cables, 50x5mm, Hot-dip galvanised, DIN EN ISO 1461, Steel, St	5016045	1805 6 FT	Buy on EAN
Earth connection block for 2 connection cables, 200mm, Stainless steel, grade 316 Ti, VA, 1.4571	5016096	1805 2 VA	Buy on EAN
Earth connection block for 4 connection cables, 302mm, Stainless steel, grade 316 Ti, VA, 1.4571	5016118	1805 4 VA	Buy on EAN
Earth connection block for 6 connection cables, 404mm, Stainless steel, grade 316 Ti, VA, 1.4571	5016126	1805 6 VA	Buy on EAN
Expansion piece , 40x5mm, Aluminium, Alu	5016142	1807	Buy on EAN
Round conductors 80 m ring, 10mm, Hot-dip galvanised, DIN EN ISO 1461, Steel, St	5021103	RD 10	Buy on EAN
Connection terminal , Hot-dip galvanised, DIN EN ISO 1461, Steel, St	5304997	5011	Buy on EAN
End piece , M10, Stainless steel, grade 316 Ti, VA, 1.4571	5334934	5011 VA M10	Buy on EAN
End piece , M12, Stainless steel, grade 316 Ti, VA, 1.4571	5334942	5011 VA M12	Buy on EAN