



**Automatización Eléctrica**

Especialistas en Automatización

At the end of this document you will find links to products related to this catalog. You can go directly to our shop by clicking HERE. [HERE](#)

# Clamp fastening systems

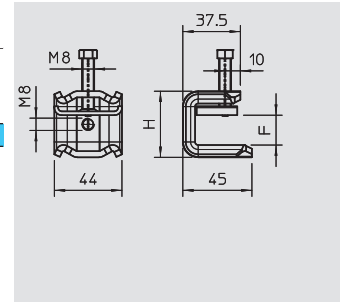


## Beam clamp

Type	Flange thickness mm	Pack. pcs	Weight kg/100 pcs.	Item No.
<b>SPP 6-21 FT</b>	6-21	50	17.700	<b>1486 25 0</b>

**St** Steel **FT** Hot-dip galvanised /100 pc.

This type of beam clamp is pushed onto the support and fixed to the girder or flat iron using a pressure trough and bolt (M8). The hexagonal bolt has a WAF of 10 mm and is tightened using the appropriate tool with a tightening torque of 5 Nm. If necessary, the double nipple, type 3100 M8, or an M8 threaded rod can be used on the clip element. The maximum permissible load is 130 kg in horizontal as well as vertical direction.

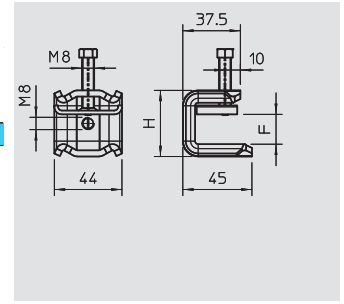


## Beam clamp

Type	Flange thickness mm	Pack. pcs	Weight kg/100 pcs.	Item No.
<b>SPP 20-40 FT</b>	20-40	50	20.500	<b>1486 27 0</b>

**St** Steel **FT** Hot-dip galvanised /100 pc.

This type of beam clamp is pushed onto the support and fixed to the girder or flat iron using a pressure trough and bolt (M8). The hexagonal bolt has a WAF of 10 mm and is tightened using the appropriate tool with a tightening torque of 5 Nm. If necessary, the double nipple, type 3100 M8, or an M8 threaded rod can be used on the clip element. The maximum permissible load is 130 kg in horizontal as well as vertical direction.



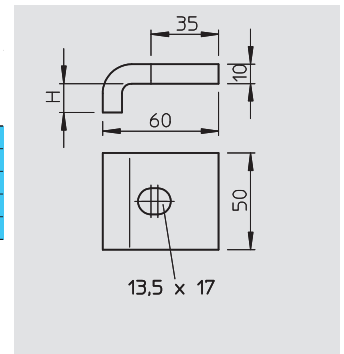
## Clamping angle KWS

Type	Height mm	F in kN	Bolt	Pack. pair	Weight kg/100 pairs	Item No.
<b>KWS 5 FT</b>	5	5.7	M12 x 40	10	63.000	<b>6355 21 8</b>
<b>KWS 10 FT</b>	10	5.7	M12 x 50	10	68.000	<b>6355 22 6</b>
<b>KWS 15 FT</b>	15	5.7	M12 x 50	10	70.000	<b>6355 23 4</b>
<b>KWS 20 FT</b>	20	5.7	M12 x 60	10	76.000	<b>6355 24 2</b>
<b>KWS 25 FT</b>	25	5.7	M12 x 60	10	80.000	<b>6355 25 0</b>

**St** Steel **FT** Hot-dip galvanised /pair

Clamping angle, with hexagonal bolt, type KWS, for direct fixing of constructions to steel girder flanges.

Choose the clamping angle according to the thickness of the flange.



## Chuck jaw, light-duty TKH

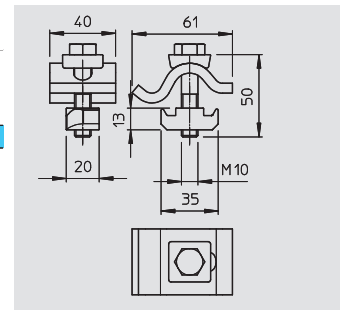
Type	Height mm	F in kN	Pack. pair	Weight kg/100 pairs	Item No.
<b>TKH-L-25 FT</b>	25	10	10	46.000	<b>6355 81 2</b>

**St** Steel **FT** Hot-dip galvanised /pair

Light duty tensioning claw with slide nut for fixing mounting rails to steel girder flanges.

The clamping range of the chuck jaw is limited to the maximum fastening thickness, 25 mm.

The chuck jaw is used in conjunction with profile rails of slot width 18 and 22 mm (type CPS 4; CPS 5; MS 22/41).



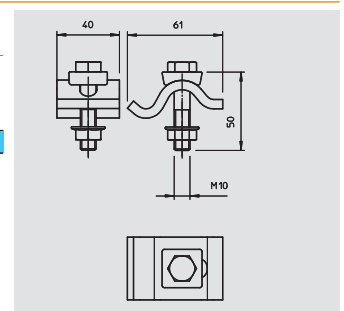
## Chuck jaw, light-duty TKS

Type	Height mm	F in kN	Pack. pair	Weight kg/100 pairs	Item No.
<b>TKS-L-25 FT</b>	25	10	10	39.000	<b>6355 80 8</b>

**St** Steel **FT** Hot-dip galvanised /pair

Chuck jaw with hexagonal nut for direct fastening of structures to steel girders.

The clamping range of the chuck jaw is limited to the maximum fastening thickness, 25 mm.



## Chuck jaw, heavy-duty TKH

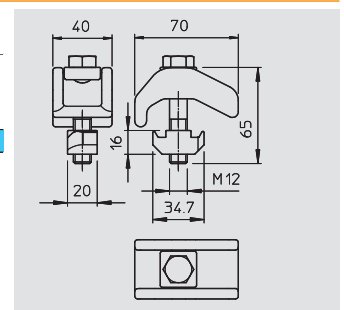
Type	Height mm	F in kN	Pack. pair	Weight kg/100 pairs	Item No.
<b>TKH-S-30 FT</b>	30	21	10	81.000	<b>6355 80 4</b>

**St** Steel **FT** Hot-dip galvanised /pair

Heavy-duty chuck jaw with slide nut for fastening profile rails to steel girders.

The clamping range of the chuck jaw is limited to the maximum fastening thickness, 30 mm.

The chuck jaw is used in conjunction with profile rails of slot width 22 mm (e.g. type CPS 5).





Below is a list of articles with direct links to our shop Electric Automation Network where you can see:

- Quote per purchase volume in real time.
- Online documentation and datasheets of all products.
- Estimated delivery time enquiry in real time.
- Logistics systems for the shipment of materials almost anywhere in the world.
- Purchasing management, order record and tracking of shipments.

To access the product, [click on the green button](#).

Product	Code	Reference	Product link
Beam clamp heavyweight design, 44x43x43,5mm, Hot-dip galvanised, DIN EN ISO 1461, Steel, St	1486250	SPP 6-21 FT	<a href="#">Buy on EAN</a>
Beam clamp heavyweight design, 44x63x43,5mm, Hot-dip galvanised, DIN EN ISO 1461, Steel, St	1486270	SPP 20-40 FT	<a href="#">Buy on EAN</a>
Clamping profile with hexagon screw, h = 5 mm, 60x50, Hot-dip galvanised, DIN EN ISO 1461, Steel, St	6355218	KWS 5 FT	<a href="#">Buy on EAN</a>
Clamping profile with hexagon screw, h = 10 mm, 60x50, Hot-dip galvanised, DIN EN ISO 1461, Steel, St	6355226	KWS 10 FT	<a href="#">Buy on EAN</a>
Clamping profile with hexagon screw, h = 15 mm, 60x50, Hot-dip galvanised, DIN EN ISO 1461, Steel, St	6355234	KWS 15 FT	<a href="#">Buy on EAN</a>
Clamping profile with hexagon screw, h = 20 mm, 60x50, Hot-dip galvanised, DIN EN ISO 1461, Steel, St	6355242	KWS 20 FT	<a href="#">Buy on EAN</a>
Clamping profile with hexagon screw, h = 25 mm, 60x50, Hot-dip galvanised, DIN EN ISO 1461, Steel, St	6355250	KWS 25 FT	<a href="#">Buy on EAN</a>
Tensioning claw, heavy with sliding nut, M12x65, Hot-dip galvanised, DIN EN ISO 1461, Steel, St	6355804	TKH-S-30 FT	<a href="#">Buy on EAN</a>
Tensioning claw, light with combination nut, M10x50, Hot-dip galvanised, DIN EN ISO 1461, Steel, St	6355808	TKS-L-25 FT	<a href="#">Buy on EAN</a>
Tensioning claw, light with sliding nut, M10x50, Hot-dip galvanised, DIN EN ISO 1461, Steel, St	6355812	TKH-L-25 FT	<a href="#">Buy on EAN</a>