

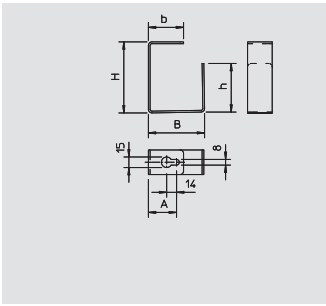


**Automatización Eléctrica**

Especialistas en Automatización

At the end of this document you will find links to products related to this catalog. You can go directly to our shop by clicking HERE. [HERE](#)

# Fire protection duct PYROLINE® Con D - BSK accessories

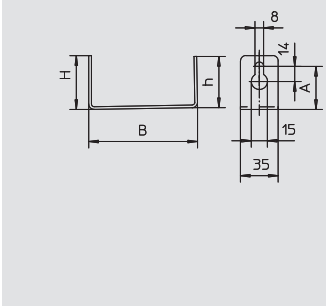


## Separating clamp for ceiling mounting

Type	Dimension H mm	Dimension h mm	Dimension B mm	Dimension b mm	Dimension A mm	Pack. pcs	Weight kg/100 pcs.	Item No.
<b>BSK-B0511</b>	46	18	55	37.5	36.5	25	7.500	<b>7215 35 6</b>
<b>BSK-B0521</b>	46	18	105	62.5	52.5	25	14.500	<b>7215 36 2</b>
<b>BSK-B1016</b>	101	69	80	50	40	25	19.000	<b>7215 36 8</b>
<b>BSK-B1026</b>	101	69	130	75	65	25	29.000	<b>7215 37 4</b>

**St** Steel **FS** Strip-galvanised /100 pc.

Separating clamp for BSK fire protection duct, as installation aid for ceiling mounting. Fastening by clamping under the fire protection bolt tie.



## Separating bracket for wall mounting

Type	Dimension B mm	Dimension H mm	Dimension h mm	Dimension A mm	Pack. pcs	Weight kg/100 pcs.	Item No.
<b>BSK-W0511</b>	46	37.5	22.5	37.5	25	5.000	<b>7215 31 2</b>
<b>BSK-W0521</b>	46	62.5	52.5	52.5	25	9.000	<b>7215 31 8</b>
<b>BSK-W1016</b>	101	50	40	40	25	12.500	<b>7215 32 4</b>
<b>BSK-W1026</b>	101	75	97.5	65	25	17.500	<b>7215 33 0</b>

**St** Steel **FS** Strip-galvanised /100 pc.

Separating bracket for BSK fire protection duct, as installation aid for wall mounting. Fastening by clamping under the fire protection bolt tie.





Below is a list of articles with direct links to our shop Electric Automation Network where you can see:

- Quote per purchase volume in real time.
- Online documentation and datasheets of all products.
- Estimated delivery time enquiry in real time.
- Logistics systems for the shipment of materials almost anywhere in the world.
- Purchasing management, order record and tracking of shipments.

To access the product, [click on the green button](#).

Product	Code	Reference	Product link
Separating bracket for BSK fire protection duct, 46x37,5mm, Strip-galvanised, DIN EN 10147, Steel, St	7215312	BSK-W0511	<a href="#">Buy on EAN</a>
Separating bracket for BSK fire protection duct, 46x72,5mm, Strip-galvanised, DIN EN 10147, Steel, St	7215318	BSK-W0521	<a href="#">Buy on EAN</a>
Separating bracket for BSK fire protection duct, 101x50mm, Strip-galvanised, DIN EN 10147, Steel, St	7215324	BSK-W1016	<a href="#">Buy on EAN</a>
Separating bracket for BSK fire protection duct, 101x97,5mm, Strip-galvanised, DIN EN 10147, Steel, St	7215330	BSK-W1026	<a href="#">Buy on EAN</a>
Separating strap for BSK fire protection duct, 46x55mm, Strip-galvanised, DIN EN 10147, Steel, St	7215356	BSK-B0511	<a href="#">Buy on EAN</a>
Separating strap for BSK fire protection duct, 46x105mm, Strip-galvanised, DIN EN 10147, Steel, St	7215362	BSK-B0521	<a href="#">Buy on EAN</a>
Separating strap for BSK fire protection duct, 101x80mm, Strip-galvanised, DIN EN 10147, Steel, St	7215368	BSK-B1016	<a href="#">Buy on EAN</a>
Separating strap for BSK fire protection duct, 101x130mm, Strip-galvanised, DIN EN 10147, Steel, St	7215374	BSK-B1026	<a href="#">Buy on EAN</a>