

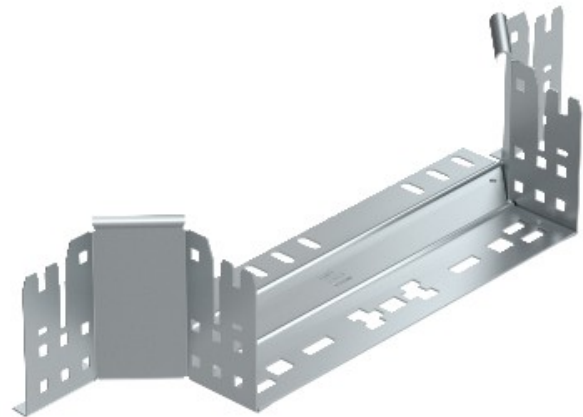


Electric Automation
Automation specialists

Reference: RAAM 110 FS
Code: 6041920

Mounting/branch piece with quick connector, 110x100, Strip-galvanised, DIN EN 10147, Steel, St

Buy it at [Electric Automation Network](#)



Mounting/branch piece with quick connector system. For all cable tray types of 110 mm side height.