

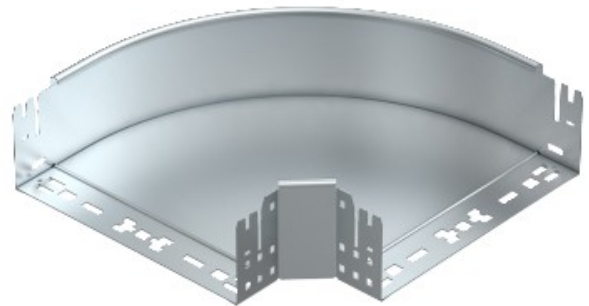


Electric Automation
Automation specialists

Reference: RBM 90 120 FT
Code: 6041862

90° bend with quick connector,
110x200, Hot-dip galvanised, DIN EN ISO
1461, Steel, St

Buy it at [Electric Automation Network](#)



90° bend with quick connector system. For all cable tray types of 110 mm side height.