



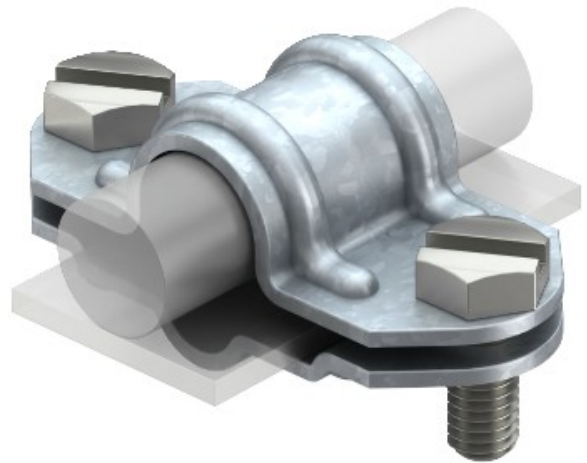
Electric Automation
Automation specialists

Reference: 226 8-10

Code: 5336007

Separating piece , 8-10mm, Hot-dip galvanised, DIN EN ISO 1461, Steel, St

Buy it at [Electric Automation Network](#)



- For fitting round conductors Rd 8-10 to Rd 16 or flat conductors FL30
- Including 2 hexagonal bolts M8 x 20 high-grade stainless steel (V2A)
- Conforms to the requirements according to VDE 0185-305 (IEC 62305)