

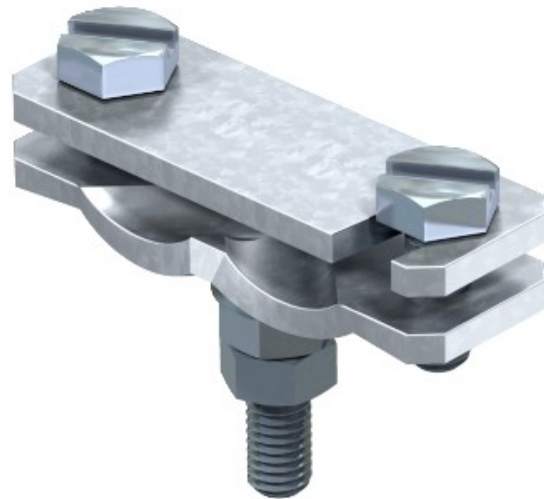


Electric Automation
Automation specialists

Reference: 250 A-BO
Code: 5313066

Diagonal clamp with flange-welded bolt,
Hot-dip galvanised, DIN 267, Teil 10,
Steel, St

Buy it at [Electric Automation Network](#)



- For reinforced steels \varnothing 6-22 mm and flat conductor 50 x 4
- Installed with screws M10 x 25
- Simple installation with open slot
- With flange-welded bolts M10 x 40, inc. 2 washers and 2 nuts