

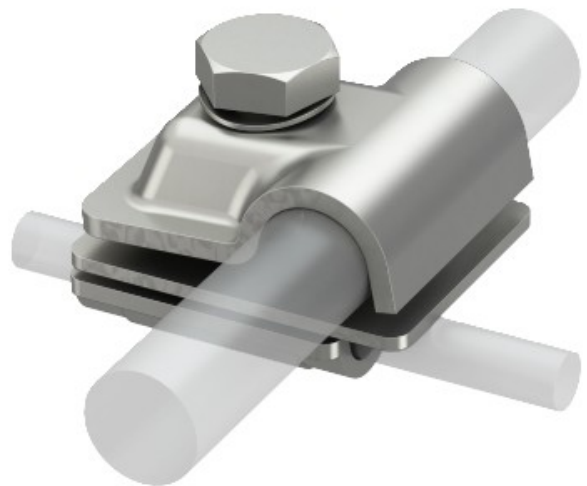


Electric Automation
Automation specialists

Reference: 249 8-10X16 VA
Code: 5311590

Quick connector Vario, 8-10mm/16mm,
Stainless steel, grade 304, VA, 1.4301

Buy it at [Electric Automation Network](#)



- For T-intersection and parallel connections with adapter plates
- Quick mounting using an M10 x 30 bolt, made from rustproof stainless steel
- With sprung washer to DIN 137
- Corresponds to the requirements of VDE 0185-305 (IEC 62305)