

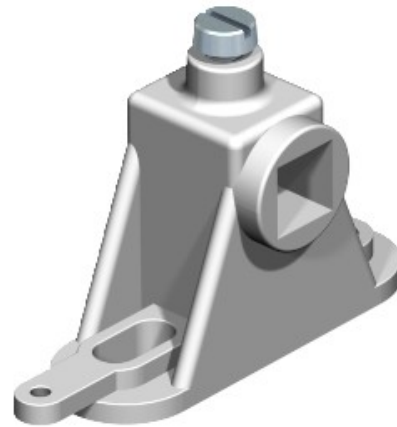


Electric Automation
Automation specialists

Reference: 1801 SCH
Code: 5015715

Rail stand potential equalisation rail,
Grey, Polystyrene, PS

Buy it at [Electric Automation Network](#)



- 2 rail stands required per 14 units
- With 6 x 13 mm slot