

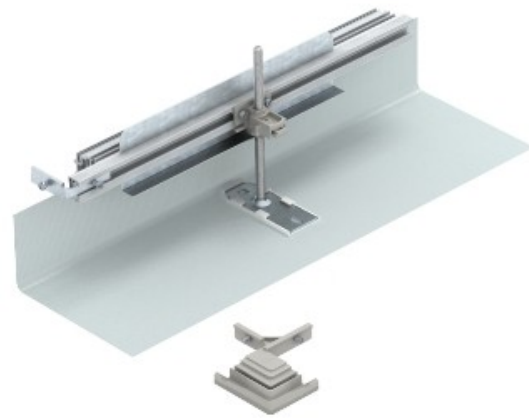


**Electric Automation**  
Automation specialists

Reference: OKA-G20040150FBL  
Code: 7423950

Branch, left for OKA-G and OKA-W, Strip-galvanised, DIN EN 10147, Steel, St

[Buy it at Electric Automation Network](#)



For construction-side creation of a trunking junction as a 90° angle to the left. With all the parts necessary for mounting. Suitable for the OKA-G and OKA-W trunking systems.