

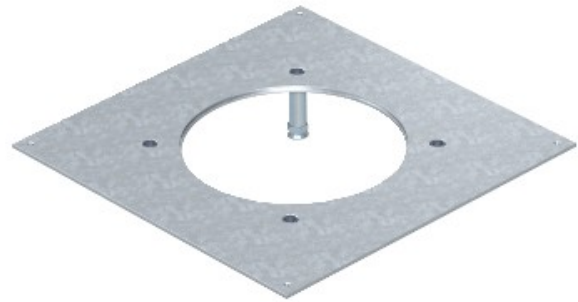


**Electric Automation**  
Automation specialists

Reference: DUG 350-3R4SL100  
Code: 7400525

Mounting lid for heavy-duty applications,  
382,5x382,5, Strip-galvanised, DIN EN  
10147, Steel, St

[Buy it at Electric Automation Network](#)



Heavy-duty mounting lid for UZD350-3 for the installation of a round heavy-duty cassette of nominal size R4. With four heavy-duty supports which are connected to the mounting lid and are height-adjustable. Height adjustment bolts with locknuts to fix the height. Installation opening 3 mm recessed for later blanking lock with lid blanking plate.