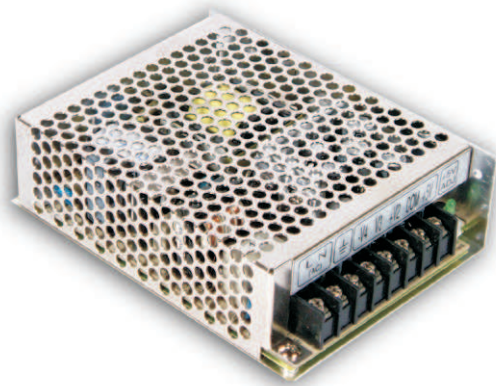




Automatización Eléctrica

Especialistas en Automatización

At the end of this document you will find links to products related to this catalog. You can go directly to our shop by clicking HERE. [HERE](#)



■ Features :

- Universal AC input / Full range
- Protections: Short circuit / Overload / Over voltage
- Cooling by free air convection
- LED indicator for power on
- 100% full load burn-in test
- All using 105°C long life electrolytic capacitors
- Withstand 300VAC surge input for 5 second
- High operating temperature up to 70°C
- Withstand 5G vibration test
- High efficiency, long life and high reliability
- 3 years warranty

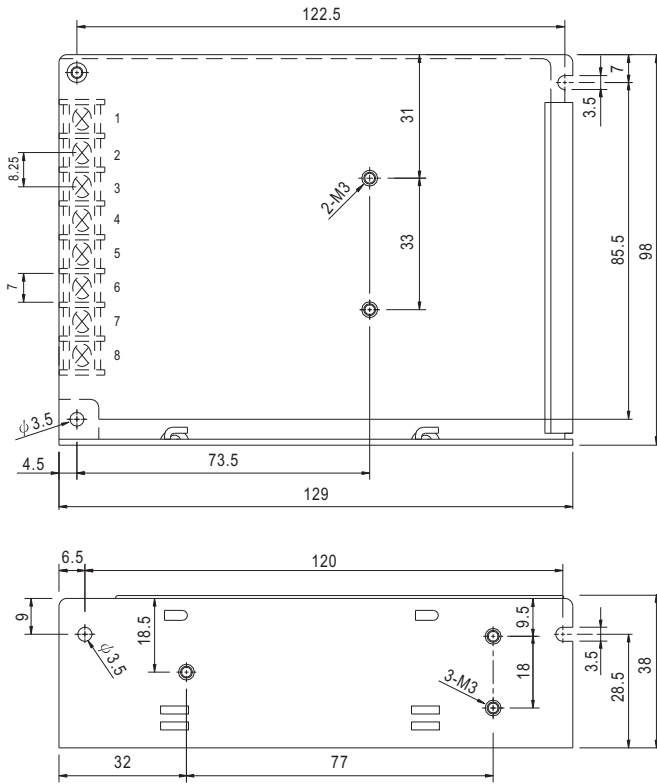


SPECIFICATION

| MODEL | | RQ-65B | | | | RQ-65C | | | | RQ-65D | | | | |
|-----------------------|---|---|----------|--|----------------------------------|------------------|----------|---------|---------|------------------|----------|------------|----------|---------|
| OUTPUT | OUTPUT NUMBER | CH1 | CH2 | CH3 | CH4 | CH1 | CH2 | CH3 | CH4 | CH1 | CH2 | CH3 | CH4 | |
| | DC VOLTAGE | 5V | 12V | -5V | -12V | 5V | 15V | -5V | -15V | 5V | 12V | 24V | -12V | |
| | RATED CURRENT | 6A | 2A | 0.5A | 0.5A | 5A | 2A | 0.5A | 0.5A | 4A | 1.5A | 1A | 0.5A | |
| | CURRENT RANGE <small>Note.6</small> | 0.5 ~ 8A | 0.2 ~ 3A | 0 ~ 1A | 0 ~ 1A | 0.5 ~ 8A | 0.2 ~ 3A | 0 ~ 1A | 0 ~ 1A | 0.5 ~ 8A | 0.2 ~ 3A | 0.1 ~ 1.5A | 0 ~ 1A | |
| | RATED POWER <small>Note.6</small> | 62.5W | | | | 65W | | | | 68W | | | | |
| | RIPPLE & NOISE (max.) <small>Note.2</small> | 80mVp-p | 120mVp-p | 80mVp-p | 80mVp-p | 80mVp-p | 120mVp-p | 80mVp-p | 80mVp-p | 80mVp-p | 80mVp-p | 120mVp-p | 180mVp-p | 80mVp-p |
| | VOLTAGE ADJ. RANGE | CH1: 4.75 ~ 5.5V | | | | CH1: 4.75 ~ 5.5V | | | | CH1: 4.75 ~ 5.5V | | | | |
| | VOLTAGE TOLERANCE <small>Note.3</small> | ±2.0% | +9,-5% | ±5.0% | ±5.0% | ±2.0% | +10,-4% | ±5.0% | ±5.0% | ±2.0% | ±6.0% | ±8.0% | ±5.0% | |
| | LINE REGULATION <small>Note.4</small> | ±0.5% | ±1.5% | ±0.5% | ±0.5% | ±0.5% | ±1.5% | ±0.5% | ±0.5% | ±0.5% | ±1.5% | ±2.0% | ±0.5% | |
| | LOAD REGULATION <small>Note.5</small> | ±0.5% | ±3.0% | ±1.0% | ±1.0% | ±0.5% | ±4.0% | ±1.0% | ±1.0% | ±0.5% | ±3.0% | ±5.0% | ±1.0% | |
| SETUP, RISE TIME | 500ms, 20ms/230VAC | | | | 1200ms, 30ms/115VAC at full load | | | | | | | | | |
| HOLD UP TIME (Typ.) | 60ms/230VAC | | | | 14ms/115VAC at full load | | | | | | | | | |
| INPUT | VOLTAGE RANGE | 88 ~ 264VAC | | 125 ~ 373VDC (Withstand 300VAC surge for 5sec. Without damage) | | | | | | | | | | |
| | FREQUENCY RANGE | 47 ~ 63Hz | | | | | | | | | | | | |
| | EFFICIENCY (Typ.) | 76% | | | | 76% | | | | 78% | | | | |
| | AC CURRENT (Typ.) | 2A/115VAC | | 1.2A/230VAC | | | | | | | | | | |
| | INRUSH CURRENT (Typ.) | COLD START 40A/230VAC | | | | | | | | | | | | |
| LEAKAGE CURRENT | <2mA / 240VAC | | | | | | | | | | | | | |
| PROTECTION | OVERLOAD | 110 ~ 150% rated output power Protection type : Hiccup mode, recovers automatically after fault condition is removed | | | | | | | | | | | | |
| | OVER VOLTAGE | CH1: 5.75 ~ 6.75V Protection type : Hiccup mode, recovers automatically after fault condition is removed | | | | | | | | | | | | |
| ENVIRONMENT | WORKING TEMP. | -25 ~ +70°C (Refer to "Derating Curve") | | | | | | | | | | | | |
| | WORKING HUMIDITY | 20 ~ 90% RH non-condensing | | | | | | | | | | | | |
| | STORAGE TEMP., HUMIDITY | -40 ~ +85°C, 10 ~ 95% RH | | | | | | | | | | | | |
| | TEMP. COEFFICIENT | ±0.03%/°C (0 ~ 50°C) on +5V output | | | | | | | | | | | | |
| VIBRATION | 10 ~ 500Hz, 5G 10min./1cycle, period for 60min. each along X, Y, Z axes | | | | | | | | | | | | | |
| SAFETY & EMC (Note 7) | SAFETY STANDARDS | UL60950-1, TUV EN60950-1 approved | | | | | | | | | | | | |
| | WITHSTAND VOLTAGE | I/P-O/P:3KVAC I/P-FG:2KVAC O/P-FG:0.5KVAC | | | | | | | | | | | | |
| | ISOLATION RESISTANCE | I/P-O/P, I/P-FG, O/P-FG:100M Ohms / 500VDC / 25°C / 70% RH | | | | | | | | | | | | |
| | EMC EMISSION | Compliance to EN55022 (CISPR22) Class B, EN61000-3-2,-3 | | | | | | | | | | | | |
| EMC IMMUNITY | Compliance to EN61000-4-2,3,4,5,6,8,11, EN61000-6-2 (EN50082-2), heavy industry level, criteria A | | | | | | | | | | | | | |
| OTHERS | MTBF | 245.5Khrs min. MIL-HDBK-217F (25°C) | | | | | | | | | | | | |
| | DIMENSION | 129*98*38mm (L*W*H) | | | | | | | | | | | | |
| | PACKING | 0.44Kg; 30pcs/13.2Kg/0.72CUFT | | | | | | | | | | | | |
| NOTE | <p>1. All parameters NOT specially mentioned are measured at 230VAC input, rated load and 25°C of ambient temperature.</p> <p>2. Ripple & noise are measured at 20MHz of bandwidth by using a 12" twisted pair-wire terminated with a 0.1uf & 47uf parallel capacitor.</p> <p>3. Tolerance : includes set up tolerance, line regulation and load regulation.</p> <p>4. Line regulation is measured from low line to high line at rated load.</p> <p>5. Load regulation is measured from 20% to 100% rated load, and other output at 60% rated load.</p> <p>6. Each output can work within current range. But total output power can't exceed rated output power.</p> <p>7. The power supply is considered a component which will be installed into a final equipment. The final equipment must be re-confirmed that it still meets EMC directives. For guidance on how to perform these EMC tests, please refer to "EMI testing of component power supplies." (as available on http://www.meanwell.com)</p> | | | | | | | | | | | | | |

Mechanical Specification

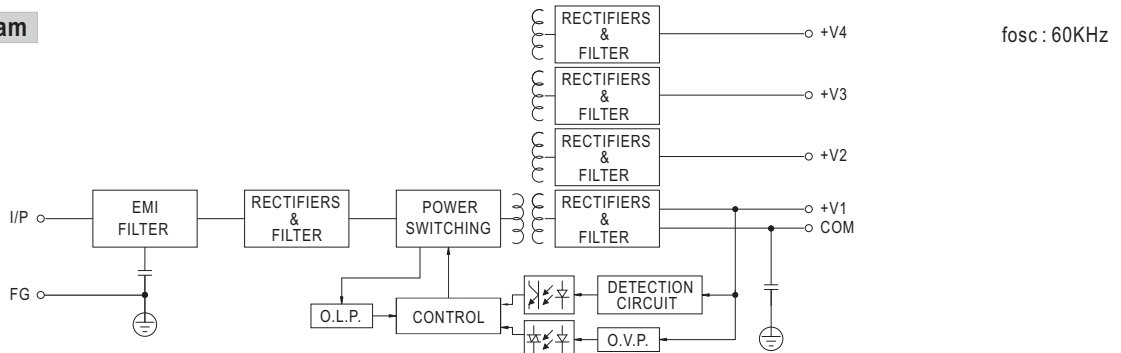
Case No. 903 Unit:mm



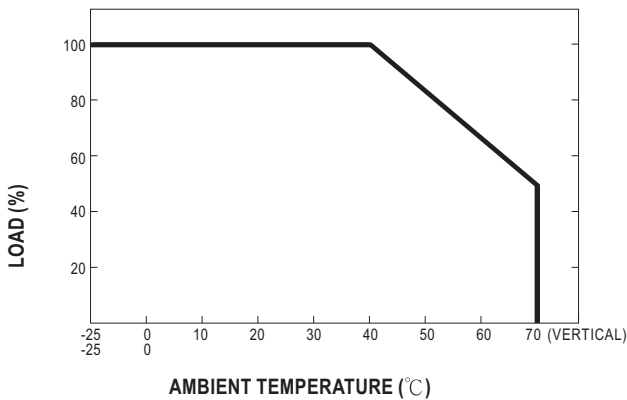
Terminal Pin No. Assignment

| Pin No. | Assignment | Pin No. | Assignment |
|---------|---------------|---------|---------------|
| 1 | AC/L | 5 | DC OUTPUT V3 |
| 2 | AC/N | 6 | DC OUTPUT +V2 |
| 3 | FG \perp | 7 | DC OUTPUT COM |
| 4 | DC OUTPUT -V4 | 8 | DC OUTPUT +V1 |

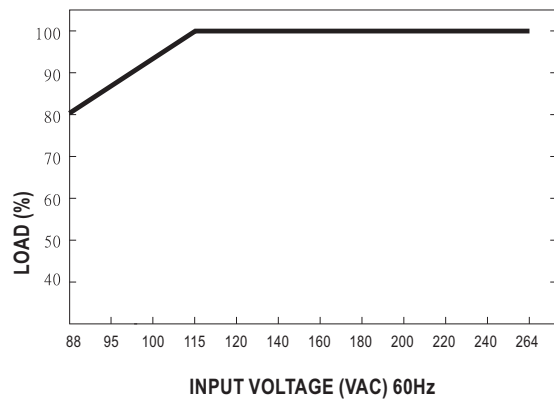
Block Diagram



Derating Curve



Output Derating VS Input Voltage





Below is a list of articles with direct links to our shop Electric Automation Network where you can see:

- Quote per purchase volume in real time.
- Online documentation and datasheets of all products.
- Estimated delivery time enquiry in real time.
- Logistics systems for the shipment of materials almost anywhere in the world.
- Purchasing management, order record and tracking of shipments.

To access the product, [click on the green button](#).

| Product | Code | Reference | Product link |
|--|-------------|------------------|----------------------------|
| Input: 88-264 AC / 125-373 DC, Output: 4, V1: 5, A1: 8, V2: 12, A2: 3, V3: -5, A3: 1, V4: -12, A4: 1 | RQ65B | RQ-65B | Buy on EAN |
| Input: 88-264 AC / 125-373 DC, Output: 4, V1: 5, A1: 8, V2: 15, A2: 3, V3: -5, A3: 1, V4: -15, A4: 1 | RQ65C | RQ-65C | Buy on EAN |
| Input: 88-264 AC / 125-373 DC, Output: 4, V1: 5, A1: 8, V2: 12, A2: 3, V3: 24, A3: 1,5, V4: -12, A4: 1 | RQ65D | RQ-65D | Buy on EAN |