



Automatización Eléctrica

Especialistas en Automatización

At the end of this document you will find links to products related to this catalog. You can go directly to our shop by clicking HERE. [HERE](#)

Green Open Frame

5~30W AC/DC Miniature Encapsulated Type



Features

- Universal AC input / Full range
- No load power consumption < 0.1W
- Miniature size, high power density
- Protections: Short circuit / Overload / Over voltage
- Cooling by free air convection
- Isolation class II
- Fully isolated plastic case
- Withstand 5G vibration test
- Optional screw terminal I/O connection models for IRM-30-x[ST]
- Low cost, high reliability
- 100% full load burn-in test
- 3 years warranty

IRM-05 / 10	IRM-15 / 20	IRM-30	IRM-30-x[ST]

General Specification (Please refer to www.meanwell.com for detail spec.)



Model No.	IRM-05	IRM-10	IRM-15	IRM-20	IRM-30-□
AC input voltage range	85~264VAC; 120~370VDC				
AC inrush current (max.)	Cold start, 20A at 115VAC, 40A at 230VAC				
Overload protection	115%~260%	115%~190%		115%~160%	105%~160%
Over voltage protection	115%~135% rated output voltage				105%~135%
Setup, rise, hold up time	600ms, 30ms, 80ms	600ms, 30ms, 30ms	1000ms, 20ms, 40ms		1000ms, 30ms, 40ms
Leakage current	Less than 0.75mA at 240VAC				
Withstand voltage	I/P-O/P: 3kVAC				
Working temperature	-30~+70°C (refer to output derating curve)				
Vibration	10~500Hz, 5G 10min./1 cycle, period for 60 min. each along X, Y, Z axes				
Safety standards	UL60950-1, TUV EN60950-1 approved (30W pending)				
EMC standards	EN55022 class B, EN61000-3-2,3, EN61000-4-2,3,4,5,6,8,11				
Connection	4 industrial pins				
Dimension (LxWxH)(mm)	45.7x 25.4x 21.5		52.4x 27.2x 24		PCB mounting: 69.5x 39x 24; Screw I/O: 91x 39x 28

5W NEW IRM-05

Model No.	Output	Tol.	R&N	Effi.
IRM-05-3.3	3.3V, 0~1.25A	±2.5%	200mV	68%
IRM-05-5	5V, 0~1A	±2.5%	200mV	71%
IRM-05-12	12V, 0~0.42A	±2.5%	200mV	75%
IRM-05-15	15V, 0~0.33A	±2.5%	200mV	75%
IRM-05-24	24V, 0~0.23A	±2.5%	200mV	77%

10W NEW IRM-10

Model No.	Output	Tol.	R&N	Effi.
IRM-10-3.3	3.3V, 0~2.5A	±2.5%	200mV	74%
IRM-10-5	5V, 0~2A	±2.5%	200mV	77%
IRM-10-12	12V, 0~0.85A	±2.5%	200mV	82%
IRM-10-15	15V, 0~0.67A	±2.5%	200mV	82%
IRM-10-24	24V, 0~0.42A	±2.5%	200mV	82%

15W NEW IRM-15

Model No.	Output	Tol.	R&N	Effi.
IRM-15-3.3	3.3V, 0~3.5A	±2.5%	200mV	74%
IRM-15-5	5V, 0~3A	±2.5%	200mV	78%
IRM-15-12	12V, 0~1.25A	±2.5%	200mV	82%

Model No.	Output	Tol.	R&N	Effi.
IRM-15-15	15V, 0~1A	±2.5%	200mV	82%
IRM-15-24	24V, 0~0.63A	±2.5%	200mV	83%

20W NEW IRM-20

Model No.	Output	Tol.	R&N	Effi.
IRM-20-3.3	3.3V, 0~4.5A	±2.5%	200mV	76%
IRM-20-5	5V, 0~4A	±2.5%	200mV	79%
IRM-20-12	12V, 0~1.8A	±2.5%	200mV	84%
IRM-20-15	15V, 0~1.4A	±2.5%	200mV	84%
IRM-20-24	24V, 0~0.9A	±2.5%	200mV	85%

30W Under Development IRM-30

Model No.	Output	Tol.	R&N	Effi.
IRM-30-5□	5V, 0~6A	±2.5%	200mV	81%
IRM-30-12□	12V, 0~2.5A	±2.5%	240mV	87%
IRM-30-15□	15V, 0~2A	±2.5%	300mV	88%
IRM-30-24□	24V, 0~1.3A	±2.5%	480mV	88%
IRM-30-48□	48V, 0~0.63A	±2.5%	480mV	90%

□ = Blank, ST ; Blank: PCB mounting type, ST: Screw I/O type

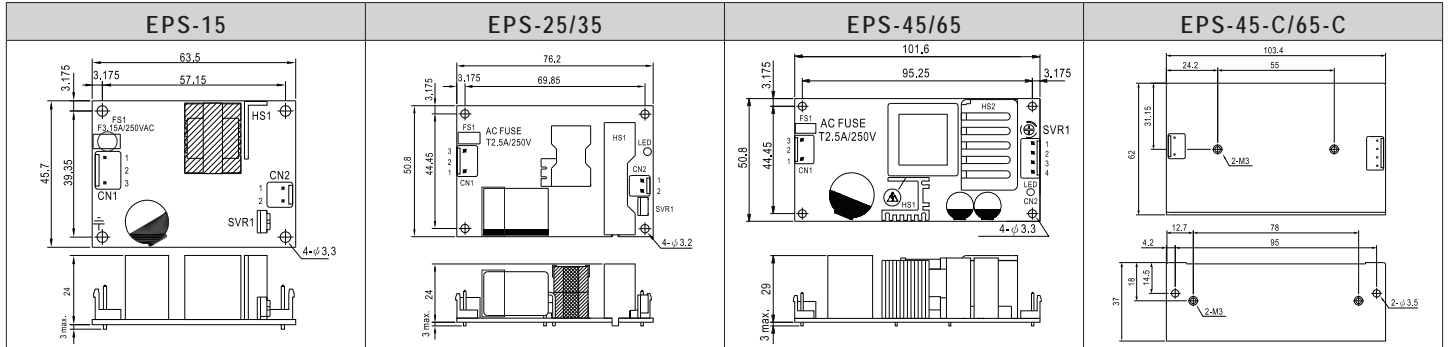
Green Open Frame

15~65W Single Output



Features

- Universal AC input / Full range
- **No load power consumption < 0.3W**
- High efficiency up to 90%
- Compact size
- Cooling by free air convection
- Protections: Short circuit / Overload / Over voltage
- **Case available (EPS-45-x-C & EPS-65-x-C)**
- LED indicator for power on (except for EPS-15)
- 3 years warranty



General Specification (Please refer to www.meanwell.com for detail spec.)



Model No.	EPS-15	EPS-25	EPS-35	EPS-45-(C)	EPS-65-(C)
AC input voltage range	85~264VAC; 120~370VDC			90~264VAC; 127~370VDC	
AC inrush current (max.)	Cold start, 45A at 230VAC	Cold start, 35A at 230VAC	Cold start, 40A at 230VAC	Cold start, 60A at 230VAC	
DC adjustment range	±10% rated output voltage				
Overload protection	Range	115%~150% rated output power		115%~160% rated output power	
	Type	Hiccup mode, auto recovery			
Over voltage protection	110%~135%	110%~140%		110%~135%	
Withstand voltage	I/P-O/P: 3kVAC, I/P-FG:2kVAC, O/P-FG: 0.5kVAC, 1 minute				
Working temperature	-30~+70°C (refer to output derating curve)				
Safety standards	UL60950-1, TUV EN60950-1 approved				
EMC standards	EN55022 class B, EN61000-3-2,3, EN61000-4-2,3,4,5,6,8,11				
Connection	3+2P/3.96mm pitch, JST B3P/B2P-VH			3+4P/3.96mm pitch, JST B3P/B4P-VH	
Dimension (LxWxH)(mm)	63.5x45.7x24	76.2x50.8x24		PCB: 101.6x50.8x29 ; Case: 103.4x62x37	

15W EPS-15

Model No.	Output(Rated / Peak 10 sec.)	Tol.	R&N	Effi.
EPS-15-3.3	3.3V, 0~3A / 3.3A	±2%	50mV	75%
EPS-15-5	5V, 0~3A / 3.3A	±2%	50mV	78%
EPS-15-7.5	7.5V, 0~2A / 2.2A	±2%	80mV	81%
EPS-15-12	12V, 0~1.25A / 1.38A	±1%	80mV	82%
EPS-15-15	15V, 0~1A / 1.1A	±1%	100mV	83%
EPS-15-24	24V, 0~0.625A / 0.69A	±1%	150mV	83%
EPS-15-27	27V, 0~0.56A / 0.615A	±1%	180mV	84%
EPS-15-36	36V, 0~0.42A / 0.46A	±1%	200mV	85%
EPS-15-48	48V, 0~0.313A / 0.344A	±1%	200mV	85%

25W EPS-25

Model No.	Output(Rated / Peak 10 sec.)	Tol.	R&N	Effi.
EPS-25-3.3	3.3V, 0~5A / 5.5A	±2%	60mV	79%
EPS-25-5	5V, 0~5A / 5.5A	±2%	60mV	81%
EPS-25-7.5	7.5V, 0~3.4A / 3.74A	±2%	80mV	83%
EPS-25-12	12V, 0~2.1A / 2.34A	±1%	100mV	86%
EPS-25-15	15V, 0~1.7A / 1.87A	±1%	100mV	87%
EPS-25-24	24V, 0~1.05A / 1.17A	±1%	180mV	88%
EPS-25-27	27V, 0~0.95A / 1.05A	±1%	180mV	89%
EPS-25-36	36V, 0~0.7A / 0.78A	±1%	200mV	89%
EPS-25-48	48V, 0~0.53A / 0.59A	±1%	240mV	90%

35W EPS-35

Model No.	Output(Rated / Peak 10 sec.)	Tol.	R&N	Effi.
EPS-35-3.3	3.3V, 0~6A / 6.6A	±2.5%	60mV	80%
EPS-35-5	5V, 0~6A / 6.6A	±2.0%	70mV	82%
EPS-35-7.5	7.5V, 0~4.7A / 5.2A	±2.0%	80mV	84%
EPS-35-12	12V, 0~3A / 3.3A	±1.0%	100mV	87%
EPS-35-15	15V, 0~2.4A / 2.65A	±1.0%	100mV	88%

Model No.	Output(Rated / Peak 10 sec.)	Tol.	R&N	Effi.
EPS-35-24	24V, 0~1.5A / 1.65A	±1%	180mV	89%
EPS-35-27	27V, 0~1.3A / 1.45A	±1%	180mV	89%
EPS-35-36	36V, 0~1A / 1.1A	±1%	200mV	89%
EPS-35-48	48V, 0~0.75A / 0.82A	±1%	240mV	90%

45W EPS-45

Model No.	Output(Rated / Peak 10 sec.)	Tol.	R&N	Effi.
EPS-45-3.3□	3.3V, 0~8A / 9A	±3%	80mV	80%
EPS-45-5□	5V, 0~8A / 9A	±2%	80mV	82%
EPS-45-7.5□	7.5V, 0~5.4A / 6A	±2%	100mV	84%
EPS-45-12□	12V, 0~3.75A / 4.2A	±2%	120mV	87%
EPS-45-15□	15V, 0~3A / 3.3A	±2%	150mV	88%
EPS-45-24□	24V, 0~1.9A / 2.1A	±1%	240mV	89%
EPS-45-36□	36V, 0~1.25A / 1.4A	±1%	280mV	89%
EPS-45-48□	48V, 0~1A / 1.1A	±1%	300mV	90%

□ = blank, -C ; blank: PCB type, -C: Enclosed type

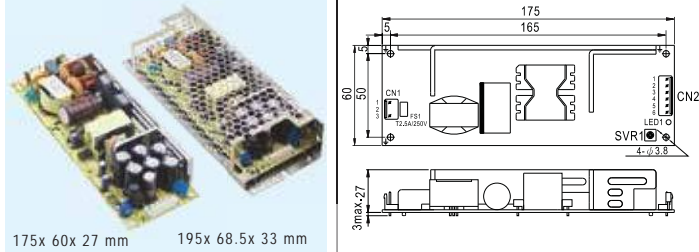
65W EPS-65

Model No.	Output(Rated / Peak 10 sec.)	Tol.	R&N	Effi.
EPS-65-3.3□	3.3V, 0~11A / 12A	±3%	80mV	80%
EPS-65-5□	5V, 0~11A / 12A	±2%	80mV	82%
EPS-65-7.5□	7.5V, 0~8A / 8.8A	±2%	100mV	84%
EPS-65-12□	12V, 0~5.42A / 6A	±2%	120mV	86%
EPS-65-15□	15V, 0~4.34A / 4.8A	±2%	150mV	87%
EPS-65-24□	24V, 0~2.71A / 3A	±1%	240mV	88%
EPS-65-36□	36V, 0~1.81A / 2A	±1%	280mV	89%
EPS-65-48□	48V, 0~1.36A / 1.5A	±1%	300mV	90%

□ = blank, -C ; blank: PCB type, -C: Enclosed type

75W Single Output with PFC Function

- Universal AC input / Full range
- Built-in active PFC function
- **No load power consumption <0.5W**
- High efficiency up to 90%
- Cooling by free air convection
- Protections: Short circuit / Overload / Over voltage
- **Case available (ELP-75-x-C)**
- LED indicator for power on
- 1U low profile
- 3 years warranty



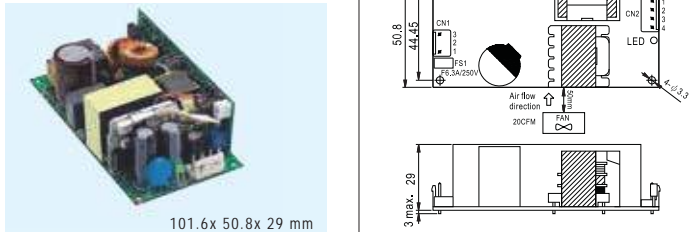
AC input voltage range 90~264VAC; 127~370VDC
 AC inrush current Cold start, 60A at 230VAC
 DC adjustment range $\pm 10\%$ rated output voltage
 Overload protection 105%~150% hiccup mode, auto-recovery
 Over voltage protection 115%~135% rated output voltage
 Leakage current Less than 1mA at 240VAC
 Setup, rise, hold up time 2500ms, 50ms, 20ms at full load and 230VAC
 Withstand voltage I/P-O/P: 3kVAC, I/P-FG: 1.5kVAC, O/P-FG: 0.5kVAC
 Working temperature -30~+70°C (refer to output derating curve)
 Safety standards UL60905-1, TUV EN60950-1 approved
 EMC standards EN55022 class B, EN61000-3-2,3, EN61000-4-2,3,4,5,6,8,11

Model No.	Output	Tol.	R&N	Effi.
ELP-75-3.3□	3.3V, 0~15A	$\pm 3\%$	80mV	80%
ELP-75-5□	5V, 0~15A	$\pm 2\%$	80mV	82%
ELP-75-12□	12V, 0~6.25A	$\pm 2\%$	120mV	89%
ELP-75-15□	15V, 0~5A	$\pm 2\%$	150mV	90%
ELP-75-24□	24V, 0~3.15A	$\pm 1\%$	240mV	90%
ELP-75-36□	36V, 0~2.1A	$\pm 1\%$	280mV	90%
ELP-75-48□	48V, 0~1.6A	$\pm 1\%$	300mV	90%

□ = blank, -C ; blank: PCB type, -C: Enclosed type

100W Single Output with PFC Function

- 4"x 2" compact size
- Universal AC input / Full range
- Built-in active PFC function
- **No load power consumption <0.5W**
- High efficiency up to 92.5%
- Free air convection for 75W and 100W with 20 CFM forced air
- Protections: Short circuit / Overload / Over voltage / Over temperature
- 12V/0.3A auxiliary output
- LED indicator for power on
- 3 years warranty



AC input voltage range 90~264VAC; 127~370VDC
 DC adjustment range -2%~+5% rated output voltage
 Overload protection 105%~145% hiccup mode, auto-recovery
 Over voltage protection 115%~135% rated output voltage
 Withstand voltage I/P-O/P: 3kVAC, I/P-FG: 2kVAC, O/P-FG: 0.5kVAC
 Working temperature -30~+70°C (refer to output derating curve)
 Safety standards UL60950-1, TUV EN60950-1 approved
 EMC standards EN55022 class B, EN61000-3-2,3, EN61000-4-2,3,4,5,6,8,11

Model No.	Output	Tol.	R&N	Effi.
EPP-100-12	12V, 0~8.5A	$\pm 2\%$	120mV	91.0%
EPP-100-15	15V, 0~6.67A	$\pm 2\%$	150mV	91.0%
EPP-100-24	24V, 0~4.2A	$\pm 1\%$	240mV	92.0%
EPP-100-27	27V, 0~3.71A	$\pm 1\%$	240mV	92.5%
EPP-100-48	48V, 0~2.1A	$\pm 1\%$	300mV	92.5%

150W Single Output with PFC Function

- 4"x 2" compact size
- Universal AC input / Full range
- Built-in active PFC function
- **No load power consumption <0.5W**
- High efficiency up to 93%
- Free air convection for 100W and 150W with 20 CFM forced air
- Protections: Short circuit / Overload / Over voltage / Over temperature
- 12V/0.3A auxiliary output
- High power density 16.42W/in³
- LED indicator for power on
- 3 years warranty



AC input voltage range ... 90~264VAC; 127~370VDC
 DC adjustment range -2%~+5% rated output voltage
 Overload protection 105%~145% hiccup mode, auto-recovery
 Over voltage protection ... 115%~135% rated output voltage
 Withstand voltage I/P-O/P: 3kVAC, I/P-FG: 2kVAC, O/P-FG: 0.5kVAC
 Working temperature -30~+70°C (refer to output derating curve)
 Safety standards UL60950-1, TUV EN60950-1 approved
 EMC standards EN55022 class B, EN61000-3-2,3, EN61000-4-2,3,4,5,6,8,11

Model No.	Output	Tol.	R&N	Effi.
EPP-150-12	12V, 0~12.5A	$\pm 2\%$	130mV	91.5%
EPP-150-15	15V, 0~10.0A	$\pm 2\%$	150mV	92.0%
EPP-150-24	24V, 0~6.25A	$\pm 1\%$	240mV	93.0%
EPP-150-27	27V, 0~5.56A	$\pm 1\%$	240mV	92.0%
EPP-150-48	48V, 0~3.125A	$\pm 1\%$	300mV	92.0%

300W Single Output with PFC Function

- 5"x 3" compact size
- Universal AC input / Full range
- Built-in active PFC function
- **No load power consumption <0.5W by PS-ON control**
- High efficiency up to 93%
- Free air convection for 200W and 300W with 20.5 CFM forced air
- Protections: Short circuit / Overload / Over voltage / Over temperature
- Withstand 300VAC surge input for 5 seconds
- 12V/0.5A auxiliary output
- Standby 5V@1A
- Built-in remote sense function
- High power density 14.5W/in³
- LED indicator for power on
- 3 years warranty



AC input voltage range 90~264VAC; 127~370VDC
 DC adjustment range $\pm 5\%$ rated output voltage
 Overload protection 105%~135% hiccup mode, auto-recovery
 Over voltage protection 115%~135% rated output voltage
 Withstand voltage I/P-O/P: 3kVAC, I/P-FG: 2kVAC, O/P-FG: 0.5kVAC
 Working temperature -30~+70°C (refer to output derating curve)
 Safety standards UL60950-1, TUV EN60950-1 approved
 EMC standards EN55022 conduction class B, radiation class A, EN61000-3-2,3, EN61000-4-2,3,4,5,6,8,11

Model No.	Output	Tol.	R&N	Effi.
EPP-300-12	12V, 0~25.0A	$\pm 3\%$	120mV	90.0%
EPP-300-15	15V, 0~20.0A	$\pm 3\%$	120mV	90.0%
EPP-300-24	24V, 0~12.5A	$\pm 2\%$	150mV	92.5%
EPP-300-27	27V, 0~11.12A	$\pm 2\%$	200mV	93.0%
EPP-300-48	48V, 0~6.25A	$\pm 2\%$	250mV	93.0%



Below is a list of articles with direct links to our shop Electric Automation Network where you can see:

- Quote per purchase volume in real time.
- Online documentation and datasheets of all products.
- Estimated delivery time enquiry in real time.
- Logistics systems for the shipment of materials almost anywhere in the world.
- Purchasing management, order record and tracking of shipments.

To access the product, [click on the green button.](#)

Product	Code	Reference	Product link
AC/DC Power Open Frame Series EPS-15 15W Input 90~264 Vac Dimension 63.5x45.7x24 mm Warranty 3 year	EPS1524	EPS-15-24	Buy on EAN
AC/DC Power Open Frame Series EPS-15 15W Input 90~264 Vac Dimension 63.5x45.7x24 mm Warranty 3 year	EPS1527	EPS-15-27	Buy on EAN
AC/DC Power Open Frame Series EPS-15 15W Input 90~264 Vac Dimension 63.5x45.7x24 mm Warranty 3 year	EPS1533	EPS-15-3.3	Buy on EAN
AC/DC Power Open Frame Series EPS-45 45W Input 90~264 Vac Dimension 101.6x50.8x29 mm Warranty 3 year	EPS45C	EPS-45-C	Buy on EAN
AC/DC Power Open Frame Series PS-35 35W Input 90~264 Vac Dimension 101.6x50.8x24 mm Warranty 2 year	PS3527	PS-35-27	Buy on EAN