

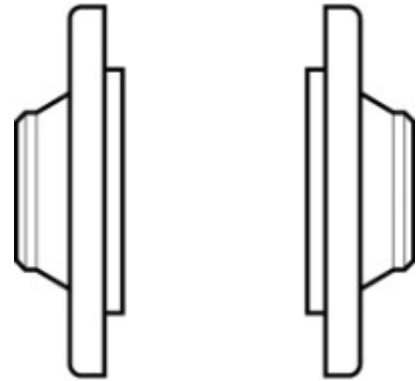


**Electric Automation**  
Automation specialists

Reference: 027G3065

Type Code Flange set , Weight 6.66 Kg , Contents  
PACKED IN RUSTPREVENTED PAPER , Conn. size 2 1/2 ,  
Conn. size 65 mm

[Buy it at Electric Automation Network](#)



Each Code No. includes two flanges. Order flange gaskets separately (40 Pcs):  
Version 9A: flange gaskets, ID 57 x OD 107 x 2 mm (ID 2.244 x OD 4.212 x 0.079 in.)  
Code No. 016D0071. Version 9B: flange gaskets, ID 76 x OD 127 x 2 mm (ID 2.992 x  
OD 5 x 0.079 in.) Code No. 016D0072. Version 9C: flange gaskets, ID 89 x OD 142 x 2  
mm (ID 3.504 x OD 5.590 x 0.079 in.) Code No. 016D0073. Version 9D: flange  
gaskets, ID 108 x OD 162 x 2 mm (ID 4.252 x OD 6.378 x 0.079 in.) Code No.  
016D0074.

Type Code	Flange set
Weight	6.66 Kg
Contents	PACKED IN RUSTPREVENTED PAPER
Conn. size	2 1/2
Conn. size	65 mm
Conn. std.	ISO 228-1
Conn. type	G
EAN no.	5702422042105
Flange design	Sealing recess
Flange shape	Round

Flange vers.	9.0 B
More info.	PACKED IN RUSTPREVENTED PAPER
Material spec.	C22.8
Parts incl.	2 flanges
Used for	EVSI 65
Used for	WVS 65

Used for

WVTS 65