

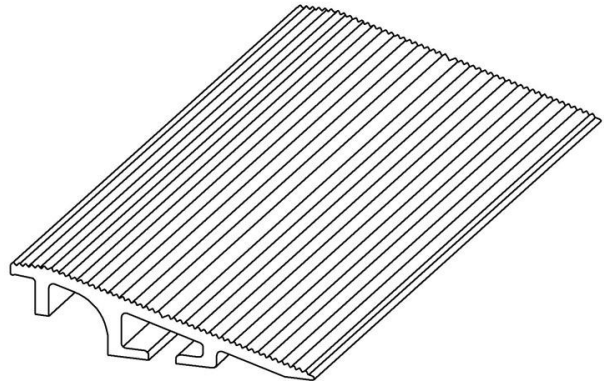


**Electric Automation**  
Automation specialists

Reference: RS 14  
Code: 2TLA076300R0500

RS 14, Ramp rail

Buy it at Electric Automation Network



Edge trimmed profile to eliminate vertical edges on the safety mat. Mainly for ASK-1U4 model.

### Ordering

EAN:	7350024461756
Minimum Order Quantity:	0.1 m
Customs Tariff Number:	76042100

### Container Information

Package Level 1 Units:	0.1 m
Package Level 1 Gross Weight:	0.8 kg

### Additional Information

Product Main Type:	ASK-1 Accessory
Product Name:	Rail

### Certificates and Declarations (Document Number)

Data Sheet, Technical Information:	2TLC172001C0202_chapter12
Declaration of Conformity - CE:	NoDecNee

### Classifications

ETIM 4:	EC002309 - Adapter plate industrial connectors
ETIM 5:	EC002309 - Adapter plate industrial connectors

Object Classification Code:

U