

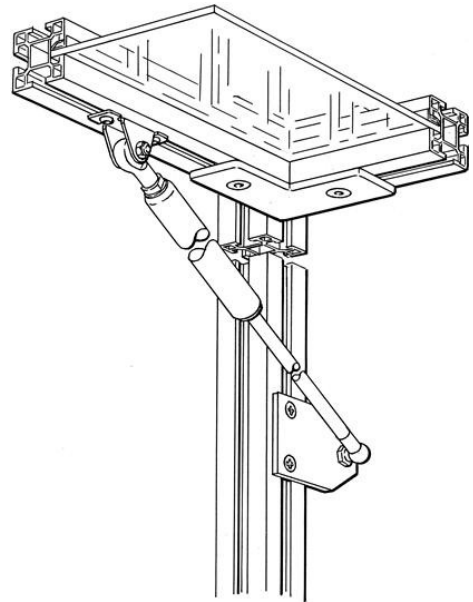


Electric Automation
Automation specialists

Reference: JSM D22A
Code: 2TLA042024R1000

JSM D22 Gas spring including fixture,
stroke length 300 mm

[Buy it at Electric Automation Network](#)



Gas spring including fittings, stroke length 300mm, Specify the required force when ordering.

Ordering

EAN:	7350024463873
Minimum Order Quantity:	1 piece
Customs Tariff Number:	83023000

Dimensions

Product Net Width:	0.025 m
Product Net Height:	0.58 m
Product Net Depth:	0.090 m
Product Net Weight:	0.915 kg

Container Information

Package Level 1 Units:	1 piece
------------------------	---------

Additional Information

Product Main Type:	Quick-Guard
--------------------	-------------

Product Name:	Safety Fencing Systems Quick Guard
---------------	------------------------------------

Certificates and Declarations (Document Number)

Data Sheet, Technical Information:	2TLC172001C0202_chapter13
Declaration of Conformity - CE:	NoDecNee

Classifications

ETIM 4:	EC002626 - Component for door (switchgear cabinet)
ETIM 5:	EC002783 - Accessories for safety equipment
Object Classification Code:	U