

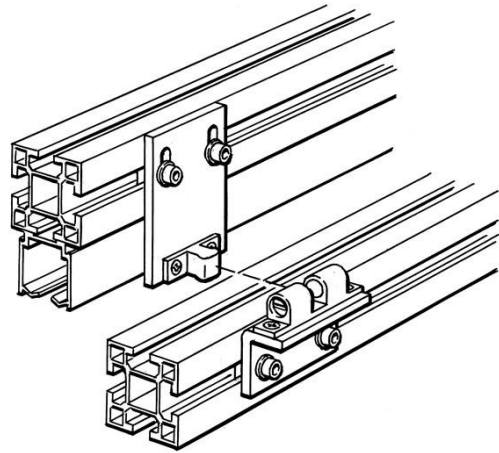


**Electric Automation**  
Automation specialists

Reference: JSM D11D  
Code: 2TLA042020R5200

JSM D11D Ball latch folding door

Buy it at [Electric Automation Network](#)



Ball latch for folding doors. Material is Aluminium and nickel-plated brass

### Ordering

EAN:	7350024463828
Minimum Order Quantity:	1 piece
Customs Tariff Number:	76109090

### Dimensions

Product Net Width:	0.7 m
Product Net Height:	0.115 m
Product Net Depth:	0.025 m
Product Net Weight:	0.24 kg

### Container Information

Package Level 1 Units:	1 piece
Package Level 1 Gross Weight:	0.24 kg

### Additional Information

Product Main Type:	Quick-Guard
Product Name:	Safety Fencing Systems Quick Guard

### Certificates and Declarations (Document Number)

Data Sheet, Technical Information:	2TLC172001C0202_chapter13
Declaration of Conformity - CE:	NoDecNee

## Classifications

ETIM 4:	EC002626 - Component for door (switchgear cabinet)
ETIM 5:	EC002783 - Accessories for safety equipment
Object Classification Code:	U