

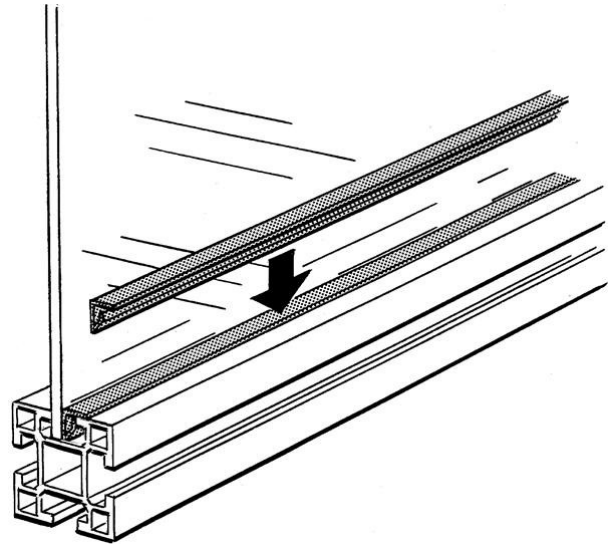


**Electric Automation**  
Automation specialists

Reference: JSM PL1B  
Code: 2TLA040038R0200

JSM PL1B Securing strip L=1152mm

[Buy it at Electric Automation Network](#)



Infill securing strip in black ABS plastic. L=1152 mm for 5 mm panels. Used to fence with 5mm Polycarbonate also to 1mm steelpanels and 3mm weld protected Polycarbonate sheets(together JSM G2).

### Ordering

EAN:	7350024462920
Minimum Order Quantity:	1 piece
Customs Tariff Number:	39269097

### Dimensions

Product Net Width:	1.152 m
Product Net Height:	0.011 m
Product Net Depth:	0.01 m
Product Net Weight:	0.034 kg

### Container Information

Package Level 1 Units:	1 piece
Package Level 1 Gross Weight:	0.034 kg

### Additional Information

Product Main Type:	Quick-Guard
--------------------	-------------

Product Name:	Safety Fencing Systems Quick Guard
---------------	------------------------------------

## Certificates and Declarations (Document Number)

Data Sheet, Technical Information:	2TLC172001C0202_chapter13
Declaration of Conformity - CE:	NoDecNee

## Classifications

ETIM 4:	EC000800 - Cover strip for wall duct
ETIM 5:	EC002783 - Accessories for safety equipment
Object Classification Code:	U