

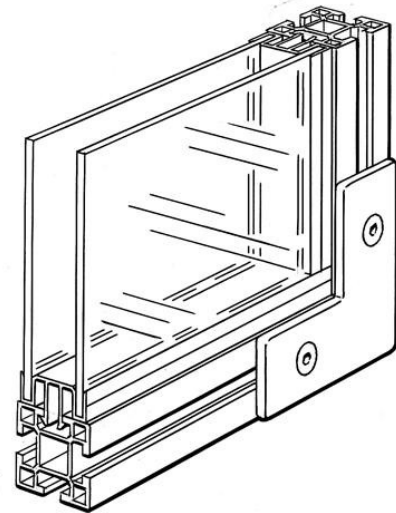


Electric Automation
Automation specialists

Reference: JSM AS2
Code: 2TLA040037R9600

JSM AS2 Aluminum profile for 2x5mm Pc sheet, meter

Buy it at [Electric Automation Network](#)



Mounting profile for double polycarbonate sheets(2x5mm). Natural anodized Aluminium, cut to length, max 2000mm

Ordering

EAN:	7350024462890
Minimum Order Quantity:	0.1 m
Customs Tariff Number:	76109090

Dimensions

Product Net Width:	0.000 m
Product Net Height:	0.024 m
Product Net Depth:	0.04 m
Product Net Weight:	0.255 kg

Container Information

Package Level 1 Units:	0.1 m
Package Level 1 Gross Weight:	0.255 kg

Additional Information

Product Main Type:	Quick-Guard
Product Name:	Safety Fencing Systems Quick Guard

Certificates and Declarations (Document Number)

Data Sheet, Technical Information:	2TLC172001C0202_chapter13
Declaration of Conformity - CE:	NoDecNee

Classifications

ETIM 4:	EC000386 - Support/Profile rail
ETIM 5:	EC000386 - Support/Profile rail
Object Classification Code:	U