

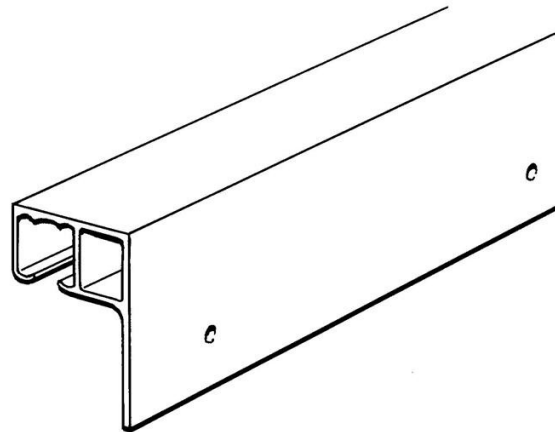


**Electric Automation**  
Automation specialists

Reference: JSM A56  
Code: 2TLA040037R4900

JSM A56 Guiding rail, aluminium incl.  
screw, meter

Buy it at Electric Automation Network



Guiding rails for slidingdoors. JSM D5 fit this rail. Natural anodized Aluminium, max length 6000mm

### Ordering

EAN:	7350024462777
Minimum Order Quantity:	0.1 m
Customs Tariff Number:	76109090

### Dimensions

Product Net Width:	0.000 m
Product Net Height:	0.079 m
Product Net Depth:	0.056 m
Product Net Weight:	1.585 kg

### Container Information

Package Level 1 Units:	0.1 m
Package Level 1 Gross Weight:	1.585 kg

### Additional Information

Product Main Type:	Quick-Guard
Product Name:	Safety Fencing Systems Quick Guard

## Certificates and Declarations (Document Number)

Data Sheet, Technical Information:	2TLC172001C0202_chapter13
Declaration of Conformity - CE:	NoDecNee

## Classifications

ETIM 4:	EC001093 - Sliding gate operator
ETIM 5:	EC001093 - Sliding gate operator
Object Classification Code:	U