

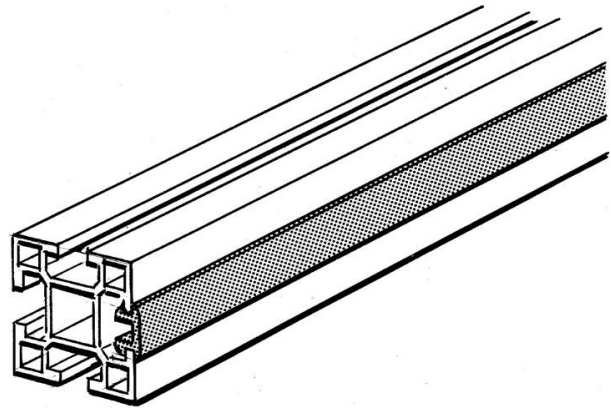


Electric Automation
Automation specialists

Reference: JSM T3
Code: 2TLA040037R3100

JSM T3A Coverstrip y/l L=2000

Buy it at [Electric Automation Network](#)



Cover strip in yellow ABS, length 2000mm, wide 16mm.

Ordering

| | |
|-------------------------|---------------|
| EAN: | 7350024462609 |
| Minimum Order Quantity: | 1 piece |
| Customs Tariff Number: | 39269097 |

Dimensions

| | |
|---------------------|----------|
| Product Net Width: | 2.0 m |
| Product Net Height: | 0.0025 m |
| Product Net Depth: | 0.016 m |
| Product Net Weight: | 0.079 kg |

Container Information

| | |
|-------------------------------|----------|
| Package Level 1 Units: | 1 piece |
| Package Level 1 Gross Weight: | 0.079 kg |

Additional Information

| | |
|--------------------|------------------------------------|
| Product Main Type: | Quick-Guard |
| Product Name: | Safety Fencing Systems Quick Guard |

Certificates and Declarations (Document Number)

| | |
|------------------------------------|---------------------------|
| Data Sheet, Technical Information: | 2TLC172001C0202_chapter13 |
| Declaration of Conformity - CE: | NoDecNee |

Classifications

| | |
|-----------------------------|--------------------------------------|
| ETIM 4: | EC000800 - Cover strip for wall duct |
| ETIM 5: | EC000800 - Cover strip for wall duct |
| Object Classification Code: | U |