

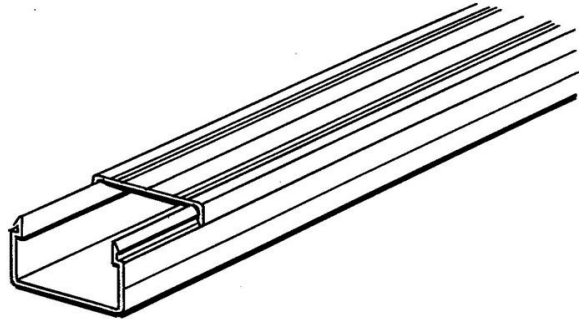


**Electric Automation**  
Automation specialists

Reference: JSM A25B  
Code: 2TLA040037R1400

JSM A25B Cable duct 44x25 incl. cap,  
L=2000mm

Buy it at Electric Automation Network



Cable duct 44x25mm without holes. Natural anodized Aluminium. Length 2000mm

### Ordering

|                         |               |
|-------------------------|---------------|
| EAN:                    | 7350024462531 |
| Minimum Order Quantity: | 1 piece       |
| Customs Tariff Number:  | 76109090      |

### Dimensions

|                     |          |
|---------------------|----------|
| Product Net Width:  | 2.0 m    |
| Product Net Height: | 0.025 m  |
| Product Net Depth:  | 0.044 m  |
| Product Net Weight: | 1.134 kg |

### Container Information

|                               |          |
|-------------------------------|----------|
| Package Level 1 Units:        | 1 piece  |
| Package Level 1 Gross Weight: | 1.134 kg |

### Additional Information

|                    |                                    |
|--------------------|------------------------------------|
| Product Main Type: | Quick-Guard                        |
| Product Name:      | Safety Fencing Systems Quick Guard |

### Certificates and Declarations (Document Number)

|                                    |                           |
|------------------------------------|---------------------------|
| Data Sheet, Technical Information: | 2TLC172001C0202_chapter13 |
|------------------------------------|---------------------------|

|                                 |          |
|---------------------------------|----------|
| Declaration of Conformity - CE: | NoDecNee |
|---------------------------------|----------|

**Classifications**

|                             |                              |
|-----------------------------|------------------------------|
| ETIM 4:                     | EC000059 - Installation duct |
| ETIM 5:                     | EC000059 - Installation duct |
| Object Classification Code: | U                            |