

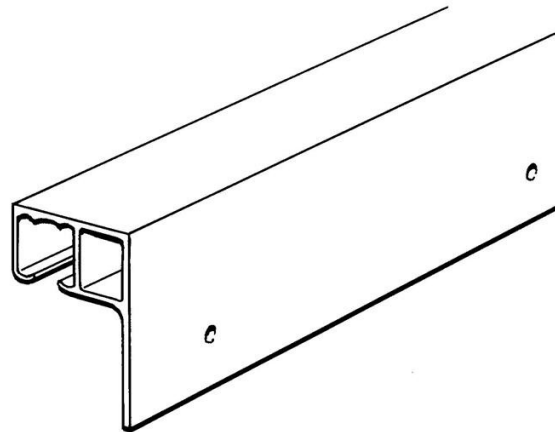


**Electric Automation**  
Automation specialists

Reference: JSM A56  
Code: 2TLA040037R0800

JSM A56-2000 Guiding rail incl. Screw,  
L=2000, Aluminum

Buy it at Electric Automation Network



Guiding rails for slidingdoors. JSM D5 fit this rail. Natural anodized Aluminium, length 2000mm

### Ordering

EAN:	7350024462487
Minimum Order Quantity:	1 piece
Customs Tariff Number:	76109090

### Dimensions

Product Net Width:	2.0 m
Product Net Height:	0.079 m
Product Net Depth:	0.056 m
Product Net Weight:	3.17 kg

### Container Information

Package Level 1 Units:	1 piece
Package Level 1 Gross Weight:	3.17 kg

### Additional Information

Product Main Type:	Quick-Guard
Product Name:	Safety Fencing Systems Quick Guard

## Certificates and Declarations (Document Number)

Data Sheet, Technical Information:	2TLC172001C0202_chapter13
Declaration of Conformity - CE:	NoDecNee

## Classifications

ETIM 4:	EC002626 - Component for door (switchgear cabinet)
ETIM 5:	EC002849 - Accessories for gate-/roller-blind drive
Object Classification Code:	U