

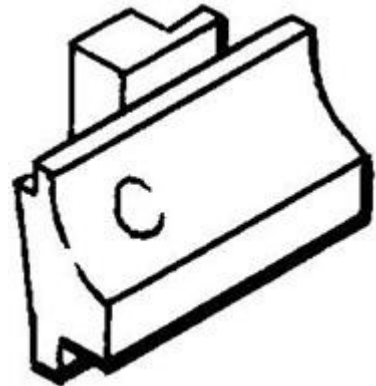


Electric Automation
Automation specialists

Reference: JSM NL2
Code: 2TLA040031R0600

JSM NL2 Netlock in plastic for welded mesh

[Buy it at Electric Automation Network](#)



Net lock in plastic for welded mesh with outer wire. Used in Quick-Guard E.

Ordering

EAN:	7350024462067
Minimum Order Quantity:	1 piece
Customs Tariff Number:	39269097

Dimensions

Product Net Width:	0.016 m
Product Net Height:	0.025 m
Product Net Depth:	0.020 m
Product Net Weight:	0.003 kg

Container Information

Package Level 1 Units:	1 piece
Package Level 1 Gross Weight:	0.003 kg

Additional Information

Product Main Type:	Quick-Guard
Product Name:	Safety Fencing Systems Quick Guard

Certificates and Declarations (Document Number)

Data Sheet, Technical Information:	2TLC172001C0202_chapter13
------------------------------------	---------------------------

Declaration of Conformity - CE:	NoDecNee
---------------------------------	----------

Classifications

ETIM 4:	EC002309 - Adapter plate industrial connectors
ETIM 5:	EC002783 - Accessories for safety equipment
Object Classification Code:	U